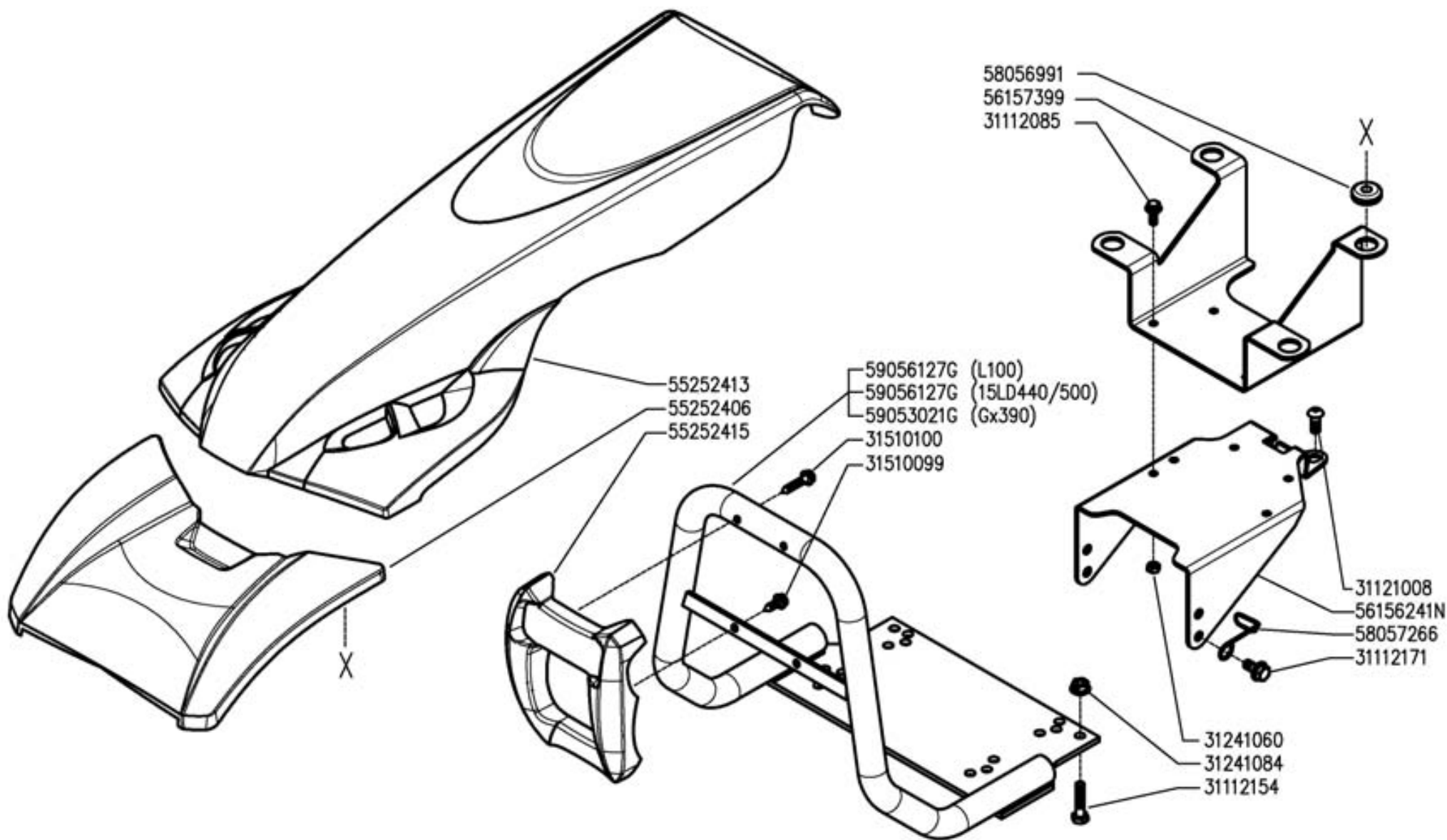


# Inhoudsopgave

Asjes Koppeling Powersafe .....	30
Drijfwerk Huis .....	38
Drijfwerkolie Filter .....	24
Electrische Delen .....	92
Index .....	108
Kappen & Bumper .....	4
Motor Flenzen .....	34
Powersafe Koppeling .....	18
Powersafe Schakeling .....	10
Remmen .....	82
Schakelpoken .....	74
Stickers .....	96
Stuur & Kabels .....	58
Stuurboom .....	52
Tandwielen & PTO .....	40
Tandwielen & PTO-2 .....	104
Wielassen & Differentieel .....	48
Wielen & Gewichten .....	88

<b>Code</b>	<b>Description</b>	<b>Notes</b>
A02_0_66730	ENGINE PROTECTIONS	
A02_1_77305	ENGINE PROTECTIONES	
A.02.01.A0003_02	ENGINE PROTECTIONS	
B01_0_66748	POWERSAFE CLUCH CONTROL	
B01_1_72788	POWERSAFE CLUCH CONTROL	
B01_2_77329	POWERSAFE CLUCH CONTROL	
B.01.01.A0001_03	POWERSAFE CLUCH CONTROL	
C01_0_66780	CYLINDER AND POWERSAFE CLUTCH	
C01_1_72820	CYLINDER AND POWERSAFE CLUTCH	
C.01.01.A0001_02	CYLINDER AND POWERSAFE CLUTCH	
D01_0_66794	POWERSAFE FILTER UNIT	
D01_1_77361	POWERSAFE FILTER UNIT	
D.01.01.A0001_02	POWERSAFE FILTER UNIT	
E01_0_66804	POWERSAFE CLUTCH HUB	
E01_1_77371	POWERSAFE CLUTCH HUB	
F01_0_66821	ENGINE FLANGES	
F01_1_77388	ENGINE FLANGES	
G02_0_66903	GEARBOX	
H03_0_66965	GEARS	
H03_1_77469	GEARS	
I04_0_67119	WHEELS AXLE	
I04_1_77517	WHEELS AXLE	
J03_0_67191	STEERING COLUMN	
J03_1_77552	STEERING COLUMN	
J03_2_77555	J03_02 - PIANTONE ( 340_346_360 )	
K03_0_67265	HANDLEBAR	
K03_1_77574	HANDLEBAR (340_346_360 )	
L03_0_67358	HANDLEBAR CONTROLS	
L03_1_77607	HANDLEBAR CONTROLS	
L.03.01.A0003_02	HANDLEBAR CONTROLS	
M03_0_67475	CONTROLS	
M03_1_77650	CONTROLS ( 340_346_360 )	
N02_0_67525	BRAKES	
N02_1_77691	BRAKES	

<b>Code</b>	<b>Description</b>	<b>Notes</b>
N.02.01.A0003_02	BRAKES	
P01_0_67539	WHEELS	
P01_1_81340	WHEELS	
Q01_0_67569	ELECTRIC STARTER	
Q01_1_81859	ELECTRIC STARTER	
R01_0_67594	STICKERS	
R02_0_67613	STICKERS	
R02_1_82042	STICKERS	
R.02.01.A0003_02	STICKERS	
H.03.02.A0003_02	H03_02 - INGRANAGGI CAMBIO (340-346-360)	



**FERRARI**

300 serie PS  
PowerSafe®

ENGINE PROTECTIONS  
PROTECCIONES MOTOR

PROTEZIONI MOTORE  
( 340 / 346 )

PROTECTIONS MOTEUR  
MOTORSCHUTZ

DALLA MACCHINA  
DE LA MAQUINA  
FROM THE MACHINE  
AB DER MASCHINE

N.

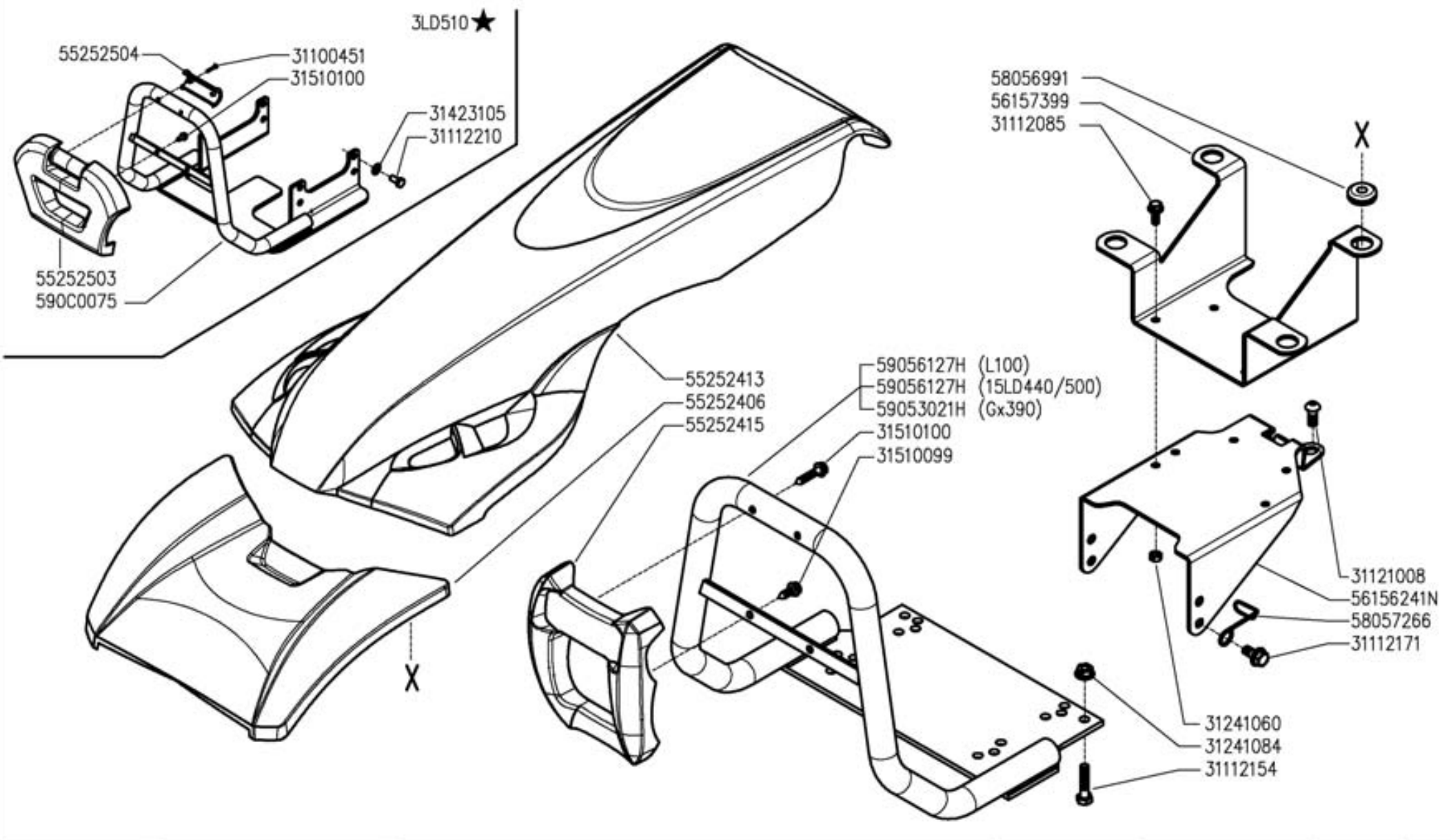

A02

Rev.  
0

05/2009

DITEBCS - Scala T.5

Pos.	Code	Q.ty	Description	Notes
31112085	31112085	1	SCREW TE M6X16 DIN 6921 8G	
31112154	31112154	1	SCREW TE M8X40 UNI 5739 8G	
31112171	31112171	1	SCREW TE C/F M8X16 DIN 6921	
31121008	31121008	1	SCREW TBCEI M10X16 ISO 7380	
31241060	31241060	1	SELFLOCK NUT M6	
31241084	31241084	1	SELFLOCK NUT M8 6S	
31510099	31510099	1	RIBBED SCREW 6,3X38 UNI 6950	
31510100	31510100	1	RIBBED SCREW 6,3X19 UNI 6950	
55252406	55252406	1	GUARD	
55252413	55252413	1	GUARD	
55252415	55252415	1	GUARD	
56157399	56157399	1	HOLDER	
58056991	58056991	1	CABLE GLAND	
58057266	58057266	1	HOLDER	
56156241	56156241N	1	TUNNEL LUNGO	
59053021	59053021G	1	COMPLETE BUMPERS	
59056127	59056127G	1	COMPLETE BUMPERS	



300 serie PS  
PowerSafe®

ENGINE PROTECTIONS  
PROTECCIONES MOTOR

PROTEZIONI MOTORE  
( 340-346-360 ★ )

PROTECTIONS MOTEUR  
MOTORSCHUTZ

DALLA MACCHINA  
DE LA MACCHINA  
DE LA MACHINE  
FROM THE MACHINE  
AB DER MASCHINE

★ N.

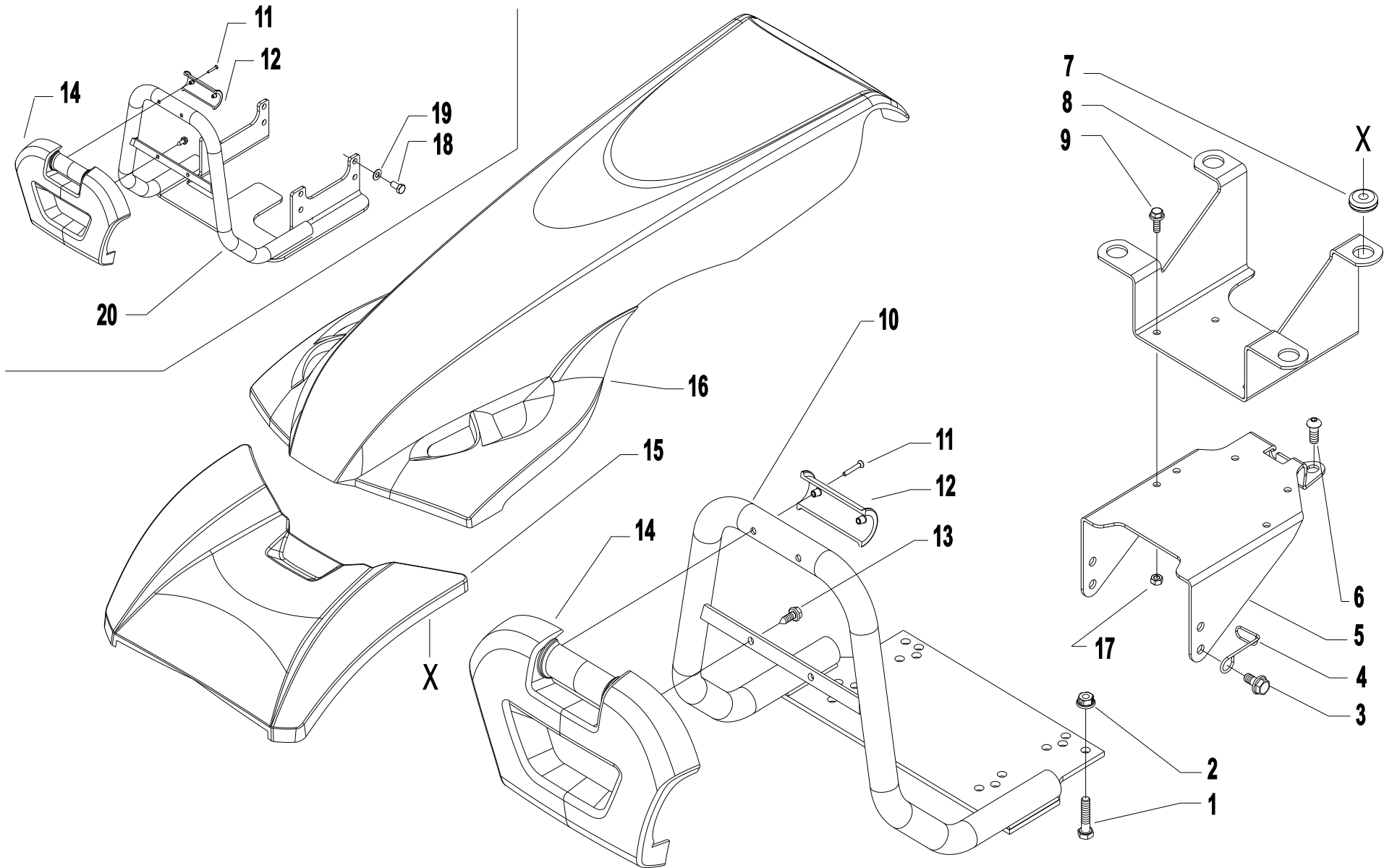
AGGIORNAMENTO  
APLAZAMIENTO  
MISE A JOUR  
REVISION  
ANPASSUNG

A02

11/2010

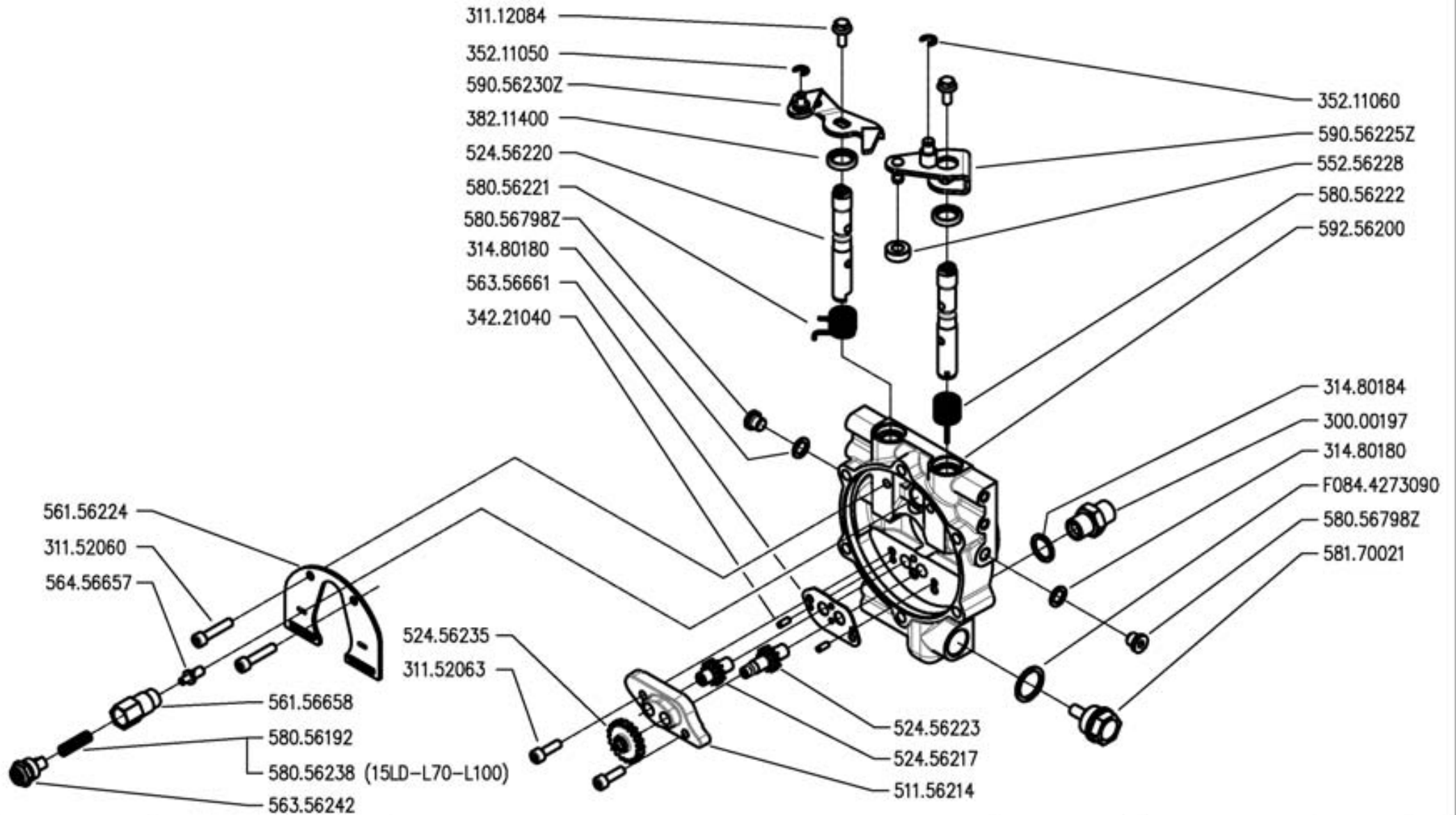
Rev. 1

Pos.	Code	Q.ty	Description	Notes
31100451	31100451	1	SCREW 3,5X25	
31112085	31112085	1	SCREW TE M6X16 DIN 6921 8G	
31112154	31112154	1	SCREW TE M8X40 UNI 5739 8G	
31112171	31112171	1	SCREW TE C/F M8X16 DIN 6921	
31112210	31112210	1	SCREW TE M10X20 UNI 5739	
31121008	31121008	1	SCREW TBCEI M10X16 ISO 7380	
31241060	31241060	1	SELFLOCK NUT M6	
31241084	31241084	1	SELFLOCK NUT M8 6S	
31423105	31423105	1	SPRING WASHER 10,5	
31510099	31510099	1	RIBBED SCREW 6,3X38 UNI 6950	
31510100	31510100	1	RIBBED SCREW 6,3X19 UNI 6950	
55252406	55252406	1	GUARD	
55252413	55252413	1	GUARD	
55252415	55252415	1	GUARD	
55252503	55252503	1	FREGIO ANT.MC 2010 FERRARI	
55252504	55252504	1	HALF BEARING	
56157399	56157399	1	HOLDER	
58056991	58056991	1	CABLE GLAND	
58057266	58057266	1	HOLDER	
590C0075	590C0075	1	PARAURTI COMPLETO (3LD)	
56156241	56156241N	1	TUNNEL LUNGO	
59053021	59053021H	1	BUMPER C.15LD-ACT-GX ALUM.	
59056127	59056127H	1	BUMPER FOR 740	





Pos.	Code	Q.ty	Description	Notes
1	31112154	1	SCREW TE M8X40 UNI 5739 8G	
2	31241084	1	SELFLOCK NUT M8 6S	
3	31112171	1	SCREW TE C/F M8X16 DIN 6921	
4	58057266	1	HOLDER	
5	56156241N	1	TUNNEL LUNGO	
6	31121008	1	SCREW TBCEI M10X16 ISO 7380	
7	58056991	1	CABLE GLAND	
8	56157399	1	HOLDER	
9	31112085	1	SCREW TE M6X16 DIN 6921 8G	
10	59056127H	1	BUMPER FOR 740	For motors L100 - 15LD440 - 500
11	59053021H	1	BUMPER C.15LD-ACT-GX ALUM.	For the engine GX390
12	31100451	1	SCREW 3,5X25	Replaces 55252415
13	55252504	1	HALF BEARING	Replaces 55252415
14	31510100	1	RIBBED SCREW 6,3X19 UNI 6950	Replaces 55252415
15	55252503	1	FREGIO ANT.MC 2010 FERRARI	Replaces 55252415
16	55252406	1	GUARD	
17	55252413	1	GUARD	
19	31112210	1	SCREW TE M10X20 UNI 5739	
20	31423105	1	SPRING WASHER 10,5	
21	590C0060H	1	PARAURTI COMPLETO (3LD)	Replaces 590C0075



300 serie PS  
**PowerSafe®**

COMANDO FRIZIONE POWERSAFE

POWERSAFE CLUTCH CONTROL  
 CONTROL EMBRAGUE POWERSAFE

CONTRÔLE EMBRAYAGE POWERSAFE  
 REGELUNG POWERSAFE KUPPLUNG

DALLA MACCHINA  
 DE LA MAQUINA  
 DE LA MACHINE  
 FROM THE MACHINE  
 AB DER MASCHINE

N.

B01 0

05/2009

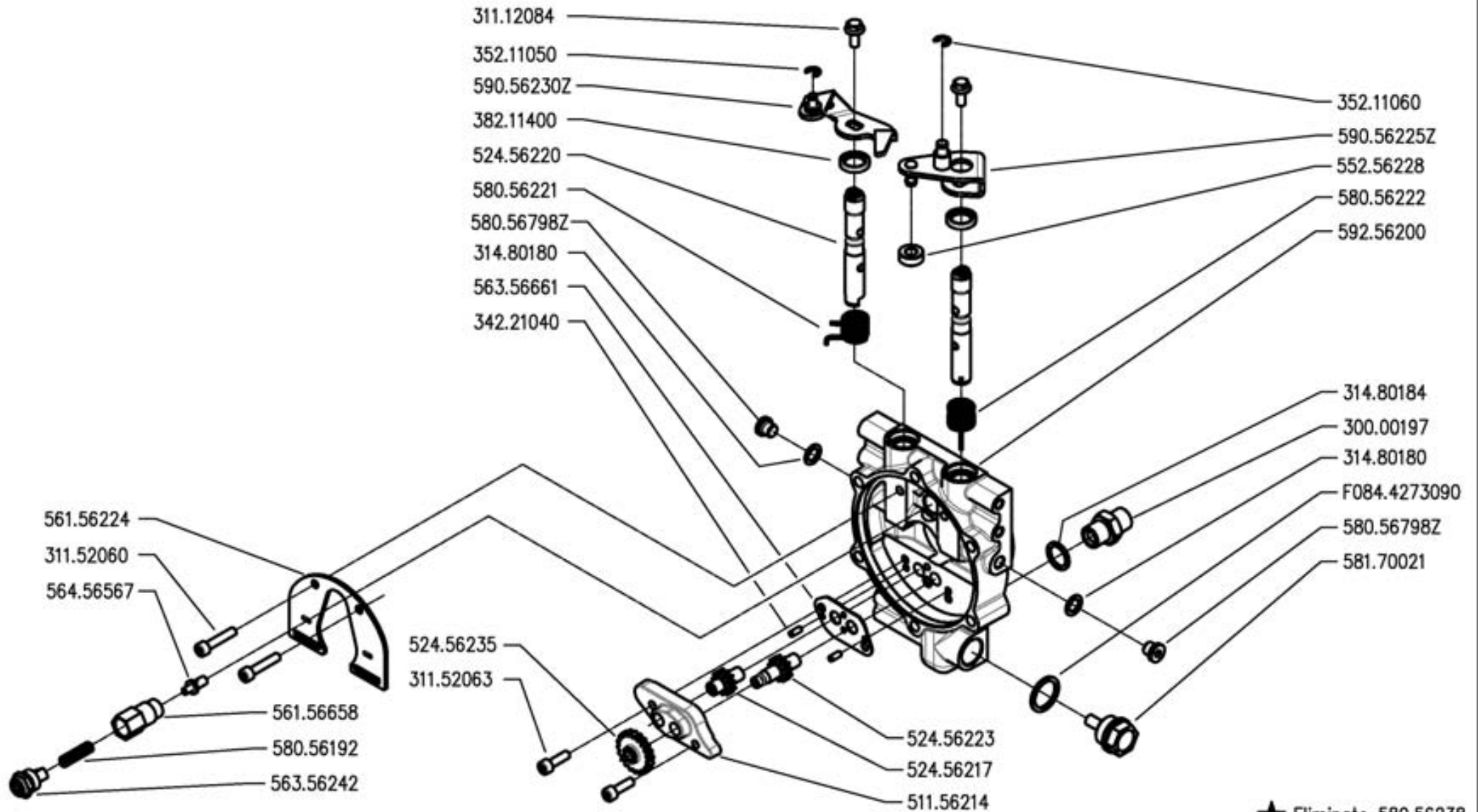
Pos.	Code	Q.ty	Description	Notes
30000197	30000197	1	NIPPLE	
31112084	31112084	1	VITE TE C/F M6X14 DIN 6921 8G	
31152060	31152060	1	SCREW TCEI M6X30 UNI 5931	
31152063	31152063	1	SCREW TCEI M6X20 UNI 5931	
31480180	31480180	1	COPPER WASHER 10,2x16/1	
31480184	31480184	1	COPPER WASHER 16,7x22/1,5	
34221040	34221040	1	CYLINDRICAL PLUG	
35211050	35211050	1	SEEGER RING	
35211060	35211060	1	SEEGER RING E 6 UNI 7434	
38211400	38211400	1	OIL SEAL 14X22X4	
51156214	51156214	1	COVER	
52456217	52456217	1	DRIVEN GEAR	
52456220	52456220	1	DISTRIBUTOR	
52456223	52456223	1	GEAR	
52456235	52456235	1	PUMP GEAR	
55256228	55256228	1	ROLLER	
56156224	56156224	1	SHIELD	
56156658	56156658	1	VALVE SEAT	
56356242	56356242	1	TAPPO VALVOLA	
56356661	56356661	1	COUNTERWEIGHT	
56456657	56456657	1	VALVE	
58056192	58056192	1	SPRING	
58056221	58056221	1	SPRING	
58056222	58056222	1	SPRING	
58056238	58056238	1	SPRING	
58170021	58170021	1	PLUG	
59256200	59256200	1	CLUTCH FLANGE	
58056798	58056798Z	1	TAPPO 1/8 GAS DIN 908 ZNT/B	
59056225	59056225Z	1	CLUTCH LEVER	
59056230	59056230Z	1	LEVER	
F0844273	F0844273090	1	GASKET 22X28X1,5 CU 99,5	

SERIAL

**POWERSAFE CLUCH CONTROL**

CODE REV

**B01\_0\_66748**



★ Eliminato 580.56238



300 serie PS  
 PowerSafe®

COMANDO FRIZIONE POWERSAFE

POWERSAFE CLUTCH CONTROL  
 CONTROL EMBRAGUE POWERSAFE

CONTRÔLE EMBRAYAGE POWERSAFE  
 REGELUND POWERSAFE KUPPLUNG

DALLA MACCHINA  
 DE LA MAQUINA  
 DE LA MACHINE  
 FROM THE MACHINE  
 AB DER MASCHINE

★ N.

852604

B01

Rev.

1

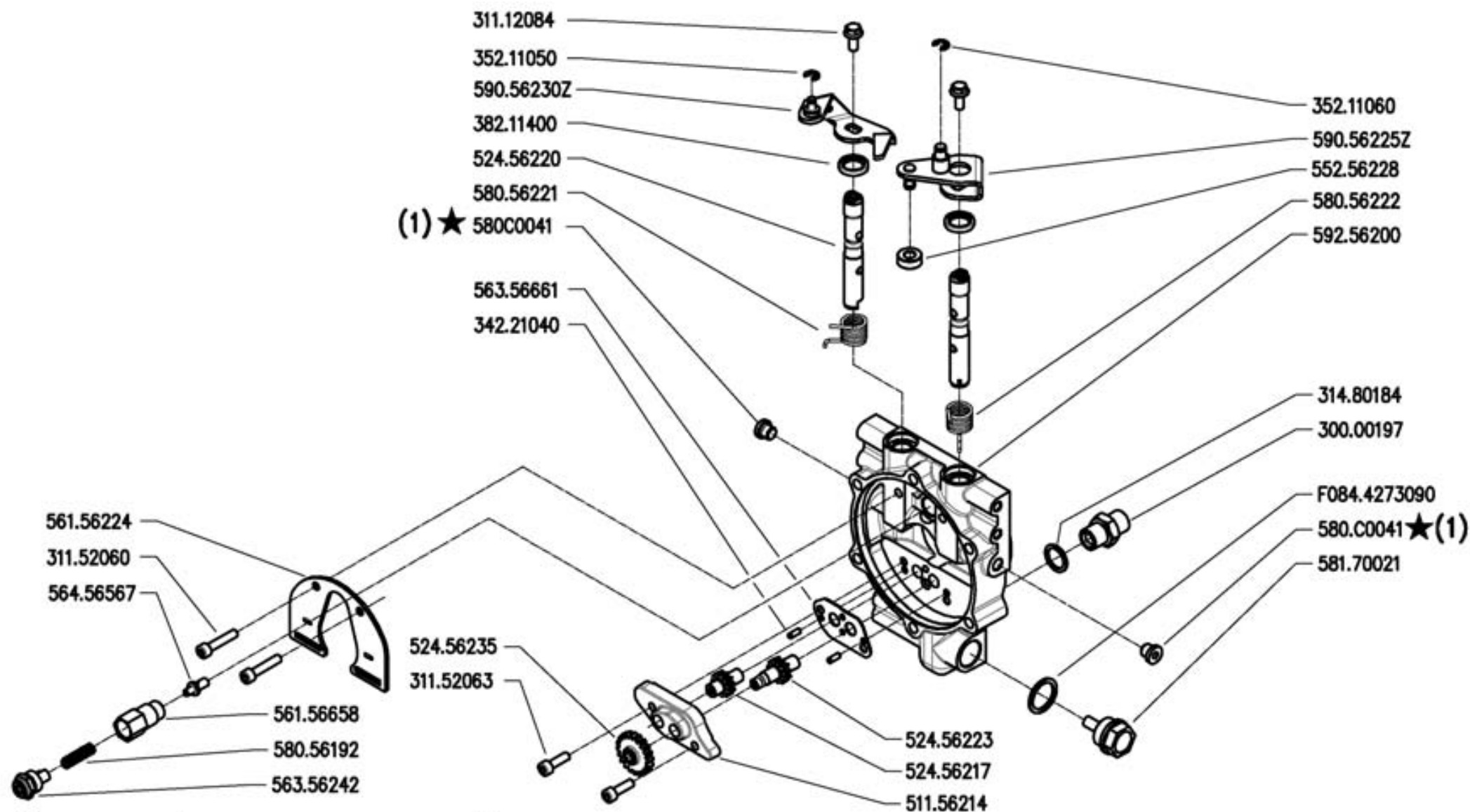
04/2010

Pos.	Code	Q.ty	Description	Notes
30000197	30000197	1	NIPPLE	
31112084	31112084	1	VITE TE C/F M6X14 DIN 6921 8G	
31152060	31152060	1	SCREW TCEI M6X30 UNI 5931	
31152063	31152063	1	SCREW TCEI M6X20 UNI 5931	
31480180	31480180	1	COPPER WASHER 10,2x16/1	
31480184	31480184	1	COPPER WASHER 16,7x22/1,5	
34221040	34221040	1	CYLINDRICAL PLUG	
35211050	35211050	1	SEEGER RING	
35211060	35211060	1	SEEGER RING E 6 UNI 7434	
38211400	38211400	1	OIL SEAL 14X22X4	
51156214	51156214	1	COVER	
52456217	52456217	1	DRIVEN GEAR	
52456220	52456220	1	DISTRIBUTOR	
52456223	52456223	1	GEAR	
52456235	52456235	1	PUMP GEAR	
55256228	55256228	1	ROLLER	
56156224	56156224	1	SHIELD	
56156658	56156658	1	VALVE SEAT	
56356242	56356242	1	TAPPO VALVOLA	
56356661	56356661	1	COUNTERWEIGHT	
56456657	56456657	1	VALVE	
58056192	58056192	1	SPRING	
58056221	58056221	1	SPRING	
58056222	58056222	1	SPRING	
58170021	58170021	1	PLUG	
59256200	59256200	1	CLUTCH FLANGE	
58056798	58056798Z	1	TAPPO 1/8 GAS DIN 908 ZNT/B	
59056225	59056225Z	1	CLUTCH LEVER	
59056230	59056230Z	1	LEVER	
F0844273	F0844273090	1	GASKET 22X28X1,5 CU 99,5	

SERIAL  
START  
**852604**

**POWERSAFE CLUCH CONTROL**

CODE REV  
**B01\_1\_72788**



(1) sostituisce (580.56798Z + 314.80180)



300 serie PS  
 PowerSafe®

COMANDO FRIZIONE POWERSAFE

POWERSAFE CLUTCH CONTROL  
 CONTROL EMBRAGUE POWERSAFE

CONTRÔLE EMBRAYAGE POWERSAFE  
 REGELUNG POWERSAFE KUPPLUNG

DALLA MACCHINA  
 DE LA MAQUINA  
 DE LA MACHINA  
 FROM THE MACHINE  
 AB DER MASCHINE

★ N.

AGGIORNAMENTO  
 APLAZAMIENTO  
 MISE A JOUR  
 REVISION  
 ANPASSUNG

B01

09/2010

Rev. 2

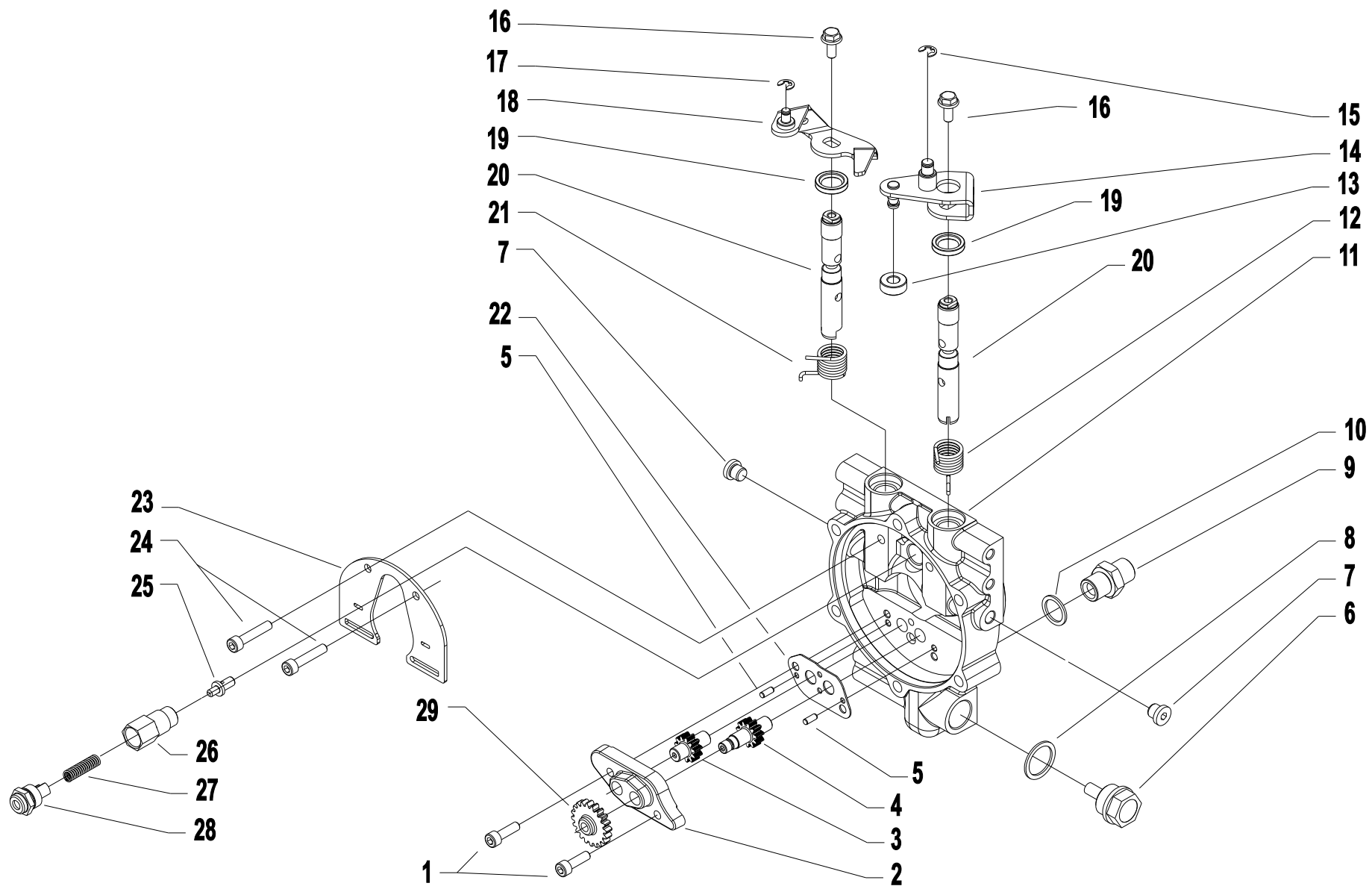
Pos.	Code	Q.ty	Description	Notes
31112084	31112084	1	VITE TE C/F M6X14 DIN 6921 8G	
31152060	31152060	1	SCREW TCEI M6X30 UNI 5931	
31152063	31152063	1	SCREW TCEI M6X20 UNI 5931	
31480184	31480184	1	COPPER WASHER 16,7x22/1,5	
34221040	34221040	1	CYLINDRICAL PLUG	
35211050	35211050	1	SEEGER RING	
35211060	35211060	1	SEEGER RING E 6 UNI 7434	
38211400	38211400	1	OIL SEAL 14X22X4	
51156214	51156214	1	COVER	
52456217	52456217	1	DRIVEN GEAR	
52456220	52456220	1	DISTRIBUTOR	
52456223	52456223	1	GEAR	
52456235	52456235	1	PUMP GEAR	
55256228	55256228	1	ROLLER	
56156224	56156224	1	SHIELD	
56156658	56156658	1	VALVE SEAT	
56356242	56356242	1	TAPPO VALVOLA	
56356661	56356661	1	COUNTERWEIGHT	
56456657	56456657	1	VALVE	
58056192	58056192	1	SPRING	
58056221	58056221	1	SPRING	
58056222	58056222	1	SPRING	
580C0041	580C0041	1	TAPPO 1/8 GAS - 107601 CAST	
58170021	58170021	1	PLUG	
59256200	59256200	1	CLUTCH FLANGE	
59056225	59056225Z	1	CLUTCH LEVER	
59056230	59056230Z	1	LEVER	
F0844273	F0844273090	1	GASKET 22X28X1,5 CU 99,5	

SERIAL

**POWERSAFE CLUCH CONTROL**

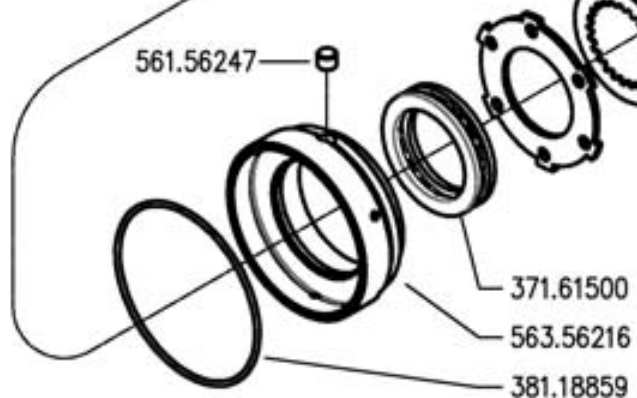
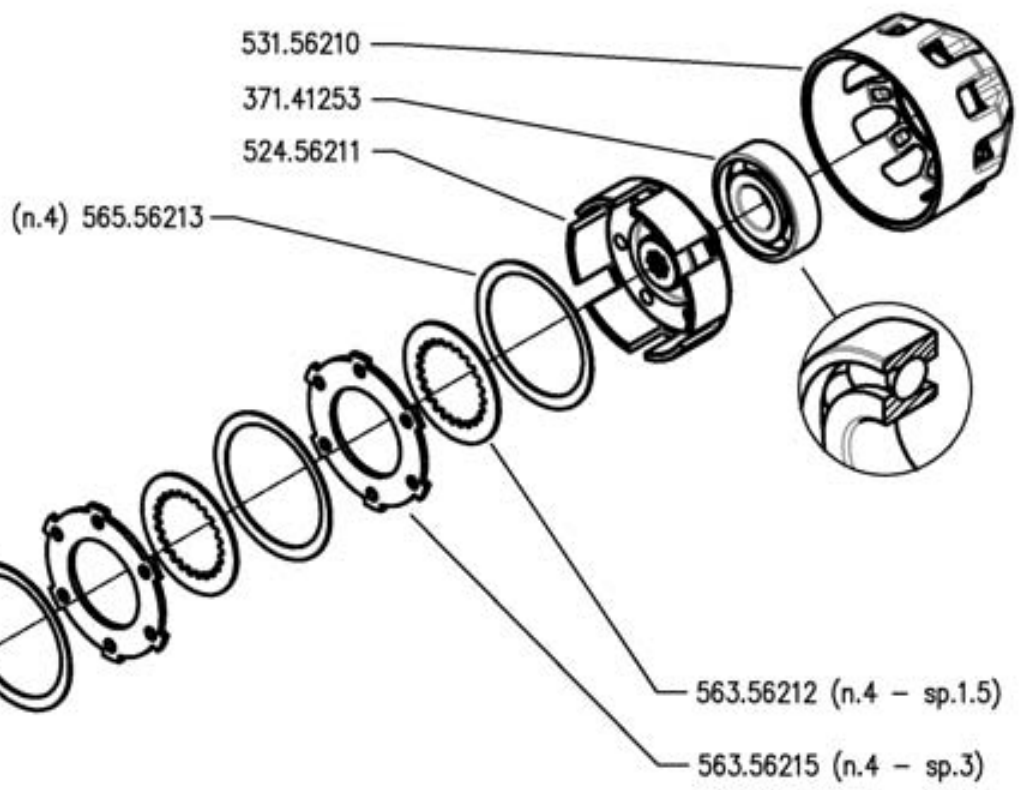
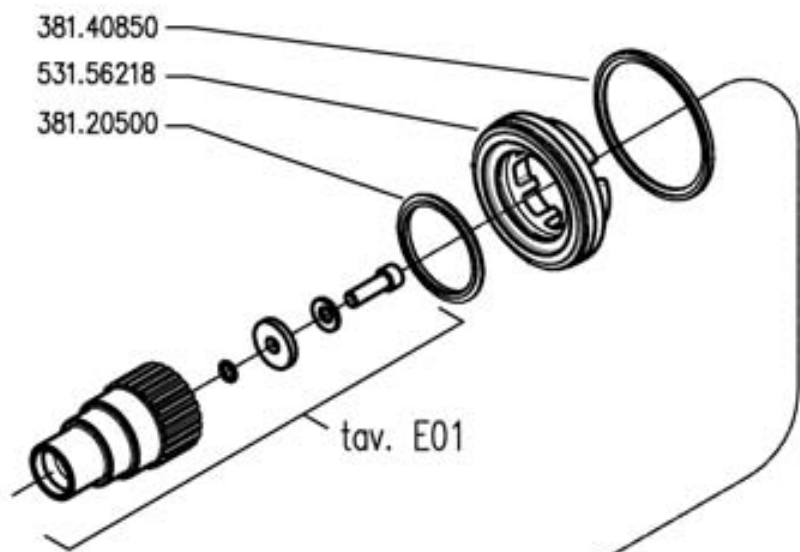
CODE REV

**B01\_2\_77329**





Pos.	Code	Q.ty	Description	Notes
1	31152063	1	SCREW TCEI M6X20 UNI 5931	
2	51156214	1	COVER	
3	52456217	1	DRIVEN GEAR	
4	52456223	1	GEAR	
5	34221040	1	CYLINDRICAL PLUG	
6	58170021	1	PLUG	
7	580C0041	1	TAPPO 1/8 GAS - 107601 CAST	
8	F0844273090	1	GASKET 22X28X1,5 CU 99,5	
9	30000197	1	NIPPLE	
10	31480184	1	COPPER WASHER 16,7x22/1,5	
11	59256200	1	CLUTCH FLANGE	
12	58056222	1	SPRING	
13	55256228	1	ROLLER	
14	59056225Z	1	CLUTCH LEVER	
15	35211060	1	SEEGER RING E 6 UNI 7434	
16	31112084	1	VITE TE C/F M6X14 DIN 6921 8G	
17	35211050	1	SEEGER RING	
18	59056298Z	1	LEVA STOP C.TA ZNT	Replaces 59056230Z from serial 901289
19	38211400	1	OIL SEAL 14X22X4	
20	52456220	1	DISTRIBUTOR	
21	58056221	1	SPRING	
22	56356661	1	COUNTERWEIGHT	
23	56156224	1	SHIELD	
24	31152060	1	SCREW TCEI M6X30 UNI 5931	
25	56456657	1	VALVE	
26	56156658	1	VALVE SEAT	
27	58056683	1	MOLLA VALVOLA 2.5	Replaces 58056192 from serial number 883609
28	56356242	1	TAPPO VALVOLA	



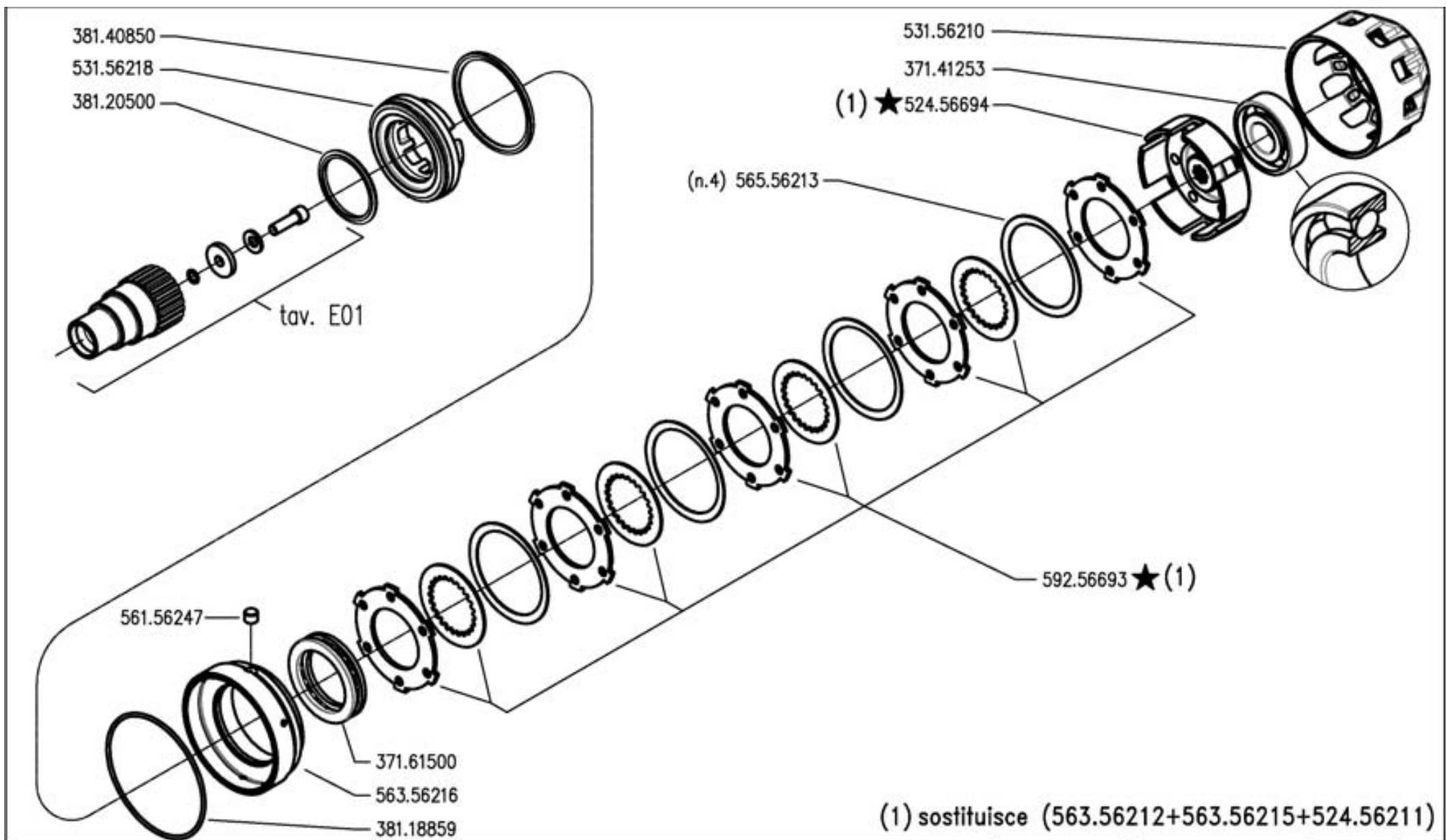
300 serie PS  
PowerSafe®

CILINDRO E FRIZIONE POWERSAFE  
CYLINDER AND POWERSAFE CLUTCH  
CILINDRO Y EMBRAGUE POWERSAFE  
CYLINDER ET EMBRAYAGE POWERSAFE  
ZILINDER UND POWERSAFE KUPPLUNG

DALLA MACCHINA  
DE LA MAQUINA  
DE LA MAQUINA  
FROM THE MACHINE  
AB DER MASCHINE  
N.


Rev. C01 0  
05/2009

Pos.	Code	Q.ty	Description	Notes
37141253	37141253	1	BEARING	
37161500	37161500	1	BEARING	
38118859	38118859	1	O-RING	
38120500	38120500	1	RING	
38140850	38140850	1	RING	
52456211	52456211	1	CLUTCH HOUSING	
53156210	53156210	1	SUMP	
53156218	53156218	1	PISTON	
56156247	56156247	1	PIN	
56356212	56356212	1	DISC	
56356215	56356215	1	DISC	
56356216	56356216	1	RING	
56556213	56556213	1	SPRING	



300 serie PS  
PowerSafe®

CILINDRO E FRIZIONE POWERSAFE

CYLINDER AND POWERSAFE CLUTCH

CILINDRO Y EMBRAGUE POWERSAFE

CYLINDER ET EMBRAYAGE POWERSAFE

ZILINDER UND POWERSAFE KÜPPLUNG

DALLA MACCHINA  
DE LA MAQUINA  
DE LA MACHINA  
FROM THE MACHINE  
AB DER MASCHINE

★ N.

852604

C01

04/2010

Rev.

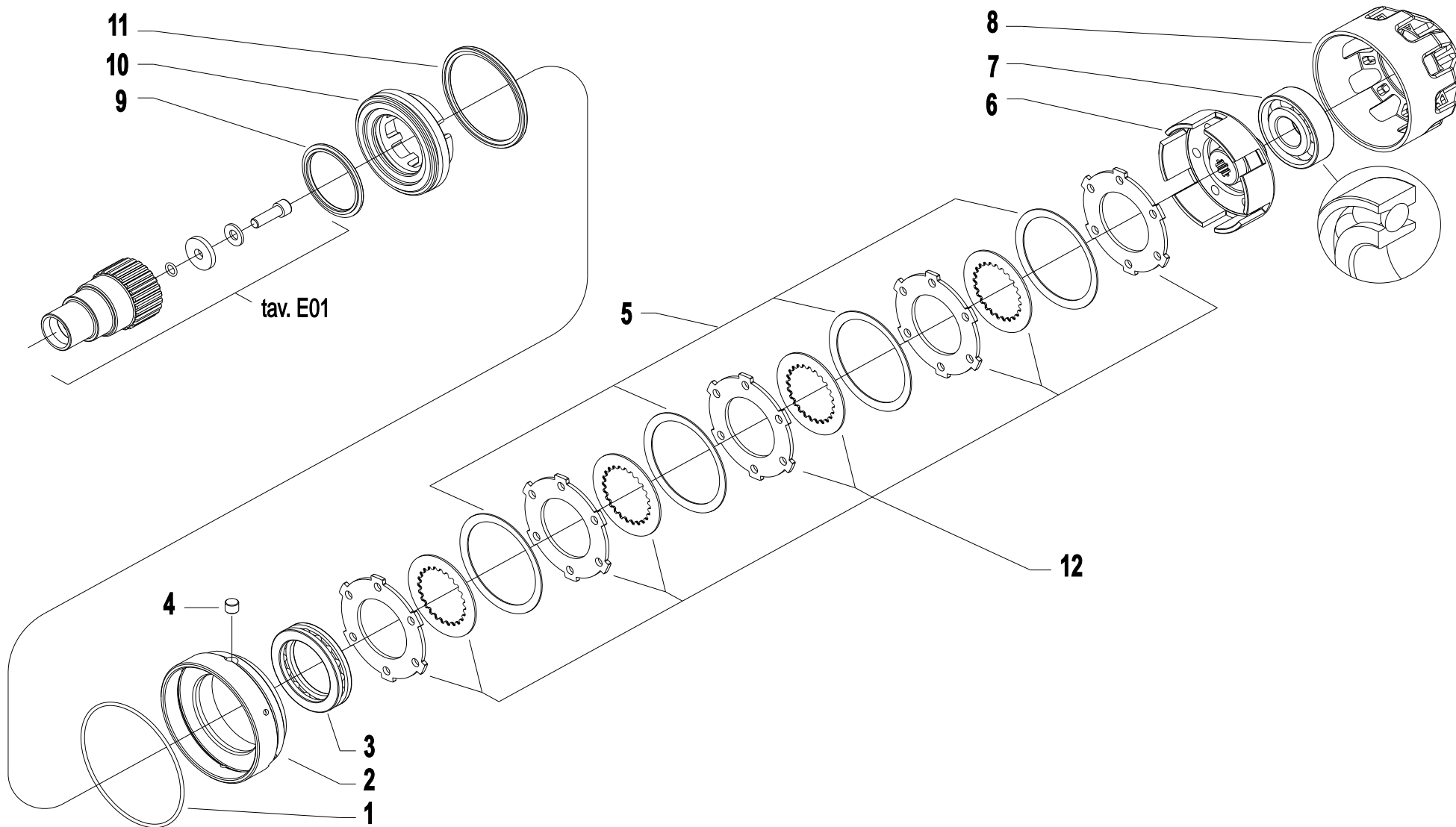
1

Pos.	Code	Q.ty	Description	Notes
37141253	37141253	1	BEARING	
37161500	37161500	1	BEARING	
38118859	38118859	1	O-RING	
38120500	38120500	1	RING	
38140850	38140850	1	RING	
52456694	52456694	1	CAMPANA FRIZIONE	
53156210	53156210	1	SUMP	
53156218	53156218	1	PISTON	
56156247	56156247	1	PIN	
56356216	56356216	1	RING	
56556213	56556213	1	SPRING	
59256693	59256693	1	9 DISC CLUTCH	

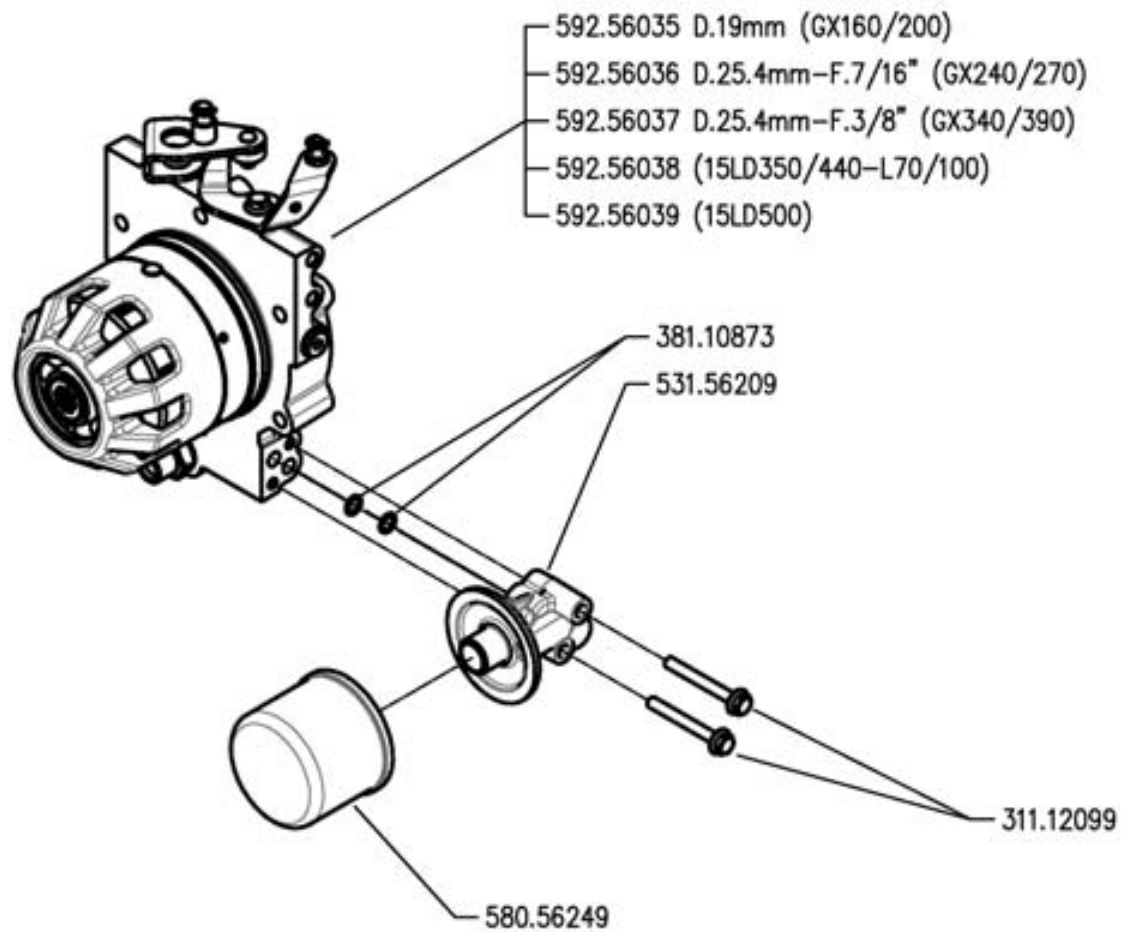
SERIAL  
START  
**852604**

**CYLINDER AND POWERSAFE CLUTCH**

CODE REV  
**C01\_1\_72820**



Pos.	Code	Q.ty	Description	Notes
1	38118859	1	O-RING	
2	56356216	1	RING	
3	37161500	1	BEARING	
4	56156247	1	PIN	
5	56556213	1	SPRING	
6	52456694	1	CAMPANA FRIZIONE	Replaces 56356212 + 56356215 + 52456211
7	37141253	1	BEARING	
8	53156210	1	SUMP	
9	38120500	1	RING	
10	53156218	1	PISTON	
11	38140850	1	RING	
12	59256693	1	9 DISC CLUTCH	Replaces 56356212 + 56356215 + 52456211



300 serie PS  
**PowerSafe®**

GRUPPO FILTRO POWERSAFE

POWERSAFE FILTER UNIT

FILTRO POWERSAFE

FILTRE POWERSAFE

POWERSAFE FILTER

DALLA MACCHINA  
 DE LA MAQUINA  
 DE LA MACHINE  
 FROM THE MACHINE  
 AB DER MASCHINE

N.

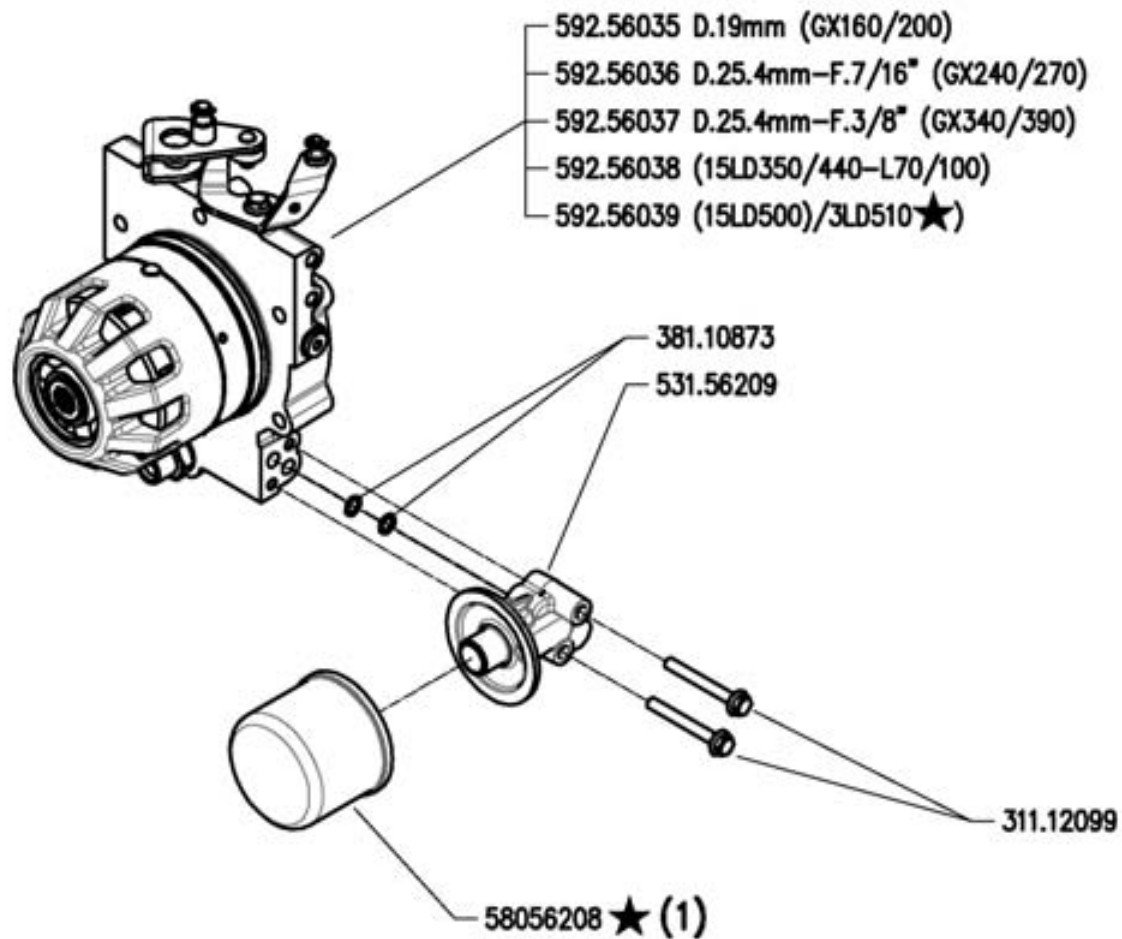
D01 0

05/2009

Rev.



Pos.	Code	Q.ty	Description	Notes
31112099	31112099	1	VITE TE C/F M6X50 DIN 6921 8G	
38110873	38110873	1	O-RING 108 (8,73X1,78)	
53156209	53156209	1	CONNECTION	
58056249	58056249	1	FILTER	
59256035	59256035	1	POWERSAFE CLUTCH ASSY Q19	
59256036	59256036	1	POWERSAFE CLUTCH	
59256037	59256037	1	GR.FRIZ.POWERSAFE Q25.4 (3/8)	
59256038	59256038	1	POWERSAFE CLUTCH	
59256039	59256039	1	POWERSAFE CLUTCH ASSY	



(1) sostituisce 580.56249

**FERRARI**

300 serie PS  
 PowerSafe®

GRUPPO E FILTRO POWERSAFE

POWERSAFE FILTER AND UNIT

FILTRO POWERSAFE

FILTRE POWERSAFE

POWERSAFE FILTER

DALLA MACCHINA  
 DE LA MACCHINA  
 DE LA MACCHINA  
 FROM THE MACHINE  
 AB DER MASCHINE

★ N.

AGGIORNAMENTO  
 APLAZAMIENTO  
 MISE A JOUR  
 REVISION  
 ANPASSUNG

D01

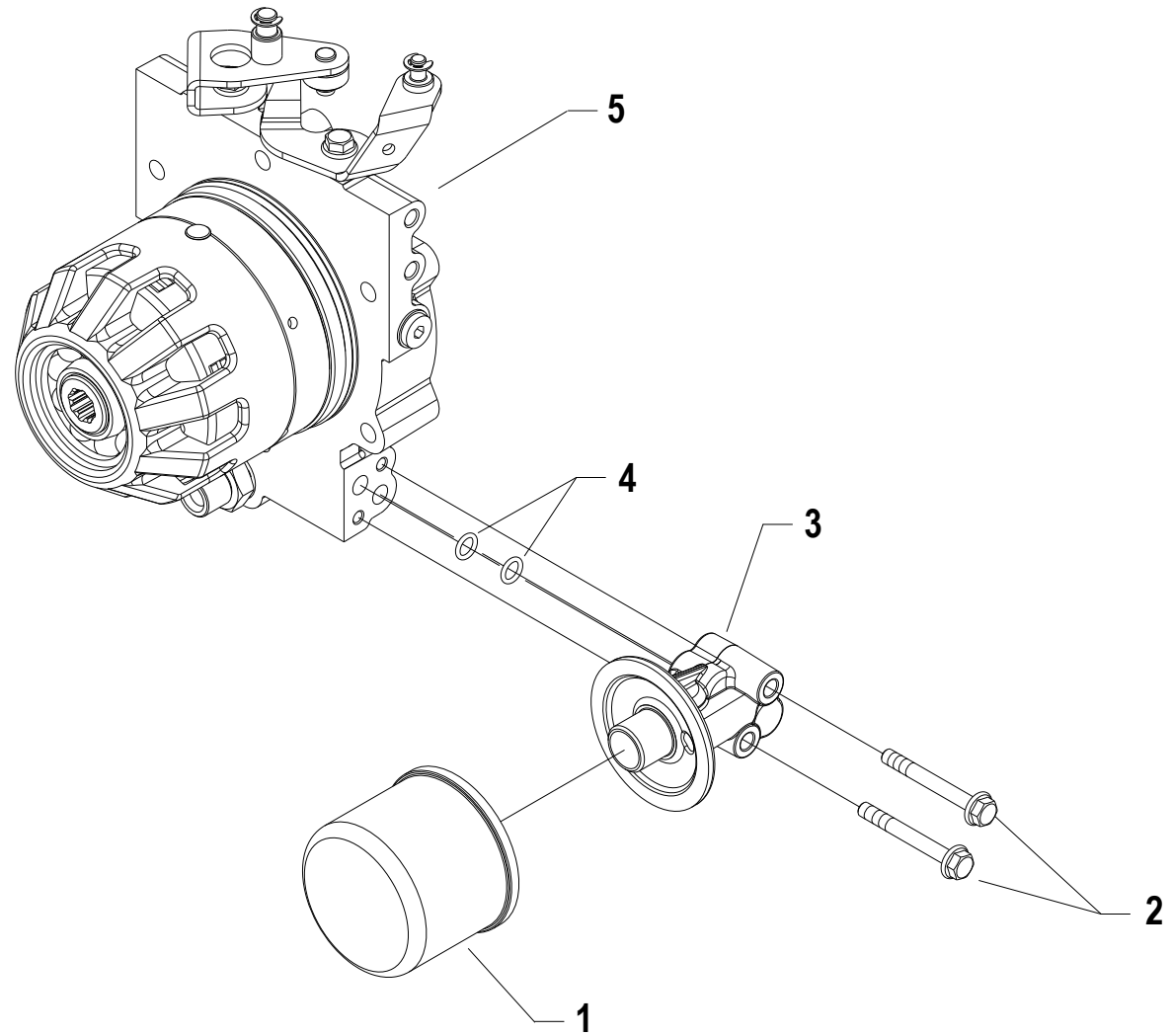
11/2010

Rev.

1

Pos.	Code	Q.ty	Description	Notes
31112099	31112099	1	VITE TE C/F M6X50 DIN 6921 8G	
38110873	38110873	1	O-RING 108 (8,73X1,78)	
53156209	53156209	1	CONNECTION	
58056208	58056208	1	FILTER	
59256035	59256035	1	POWERSAFE CLUTCH ASSY Q19	
59256036	59256036	1	POWERSAFE CLUTCH	
59256037	59256037	1	GR.FRIZ.POWERSAFE Q25.4 (3/8)	
59256038	59256038	1	POWERSAFE CLUTCH	
59256039	59256039	1	POWERSAFE CLUTCH ASSY	

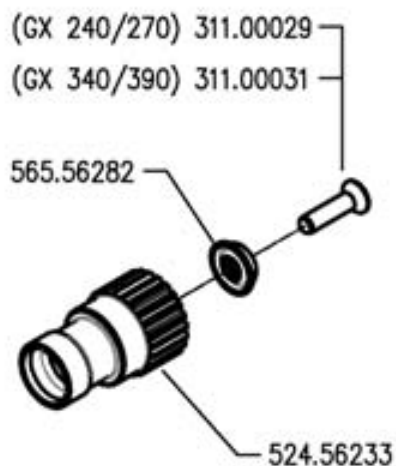
# POWERSAFE FILTER UNIT



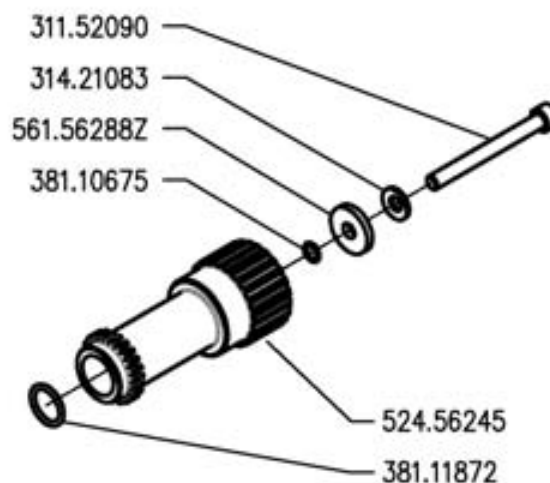
Pos.	Code	Q.ty	Description	Notes
1	58056208	1	FILTER	
2	31112099	1	VITE TE C/F M6X50 DIN 6921 8G	
3	53156209	1	CONNECTION	
3	53156659	1	CONNECTION	Powersafe EasyDrive
4	38110873	1	O-RING 108 (8,73X1,78)	
5	59256035	1	POWERSAFE CLUTCH ASSY Q19	For motors GX160/200
5	59256036	1	POWERSAFE CLUTCH	For motors GX240/270-EX21
5	59256037	1	GR.FRIZ.POWERSAFE Q25.4 (3/8)	For motors GX340/390
5	59256038	1	POWERSAFE CLUTCH	For motors 15LD350/440-L70/100
5	59256039	1	POWERSAFE CLUTCH ASSY	For motors 15LD500/3LD510



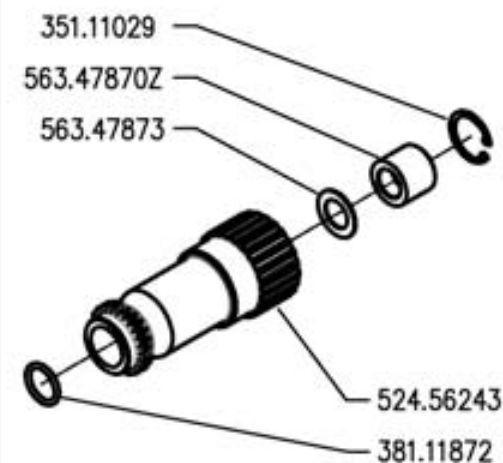
GX 160-200



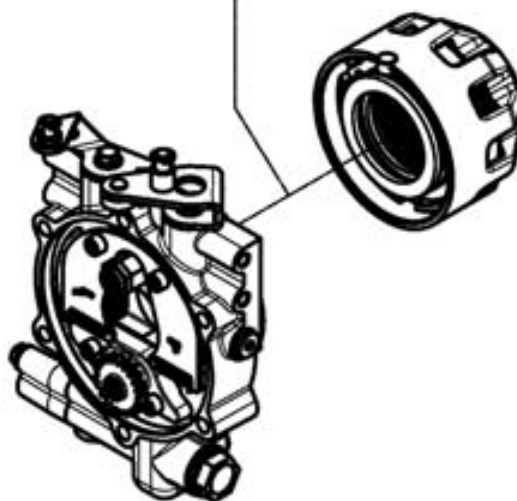
GX 240-270-340-390



15LD350-440 - L70-100



15LD500



300 serie PS  
PowerSafe®

MOZZI FRIZIONE POWERSAFE

POWERSAFE CLUTCH HUBS

CUBOS EMBRAGUE POWERSAFE

MOYEURS EMBRAYAGE POWERSAFE

NABEN POWERSAFE KUPPLUNG

DALLA MACCHINA  
DE LA MAQUINA  
DE LA MACHINE  
FROM THE MACHINE  
AB DER MASCHINE

N.

E01 0

05/2009

Rev.

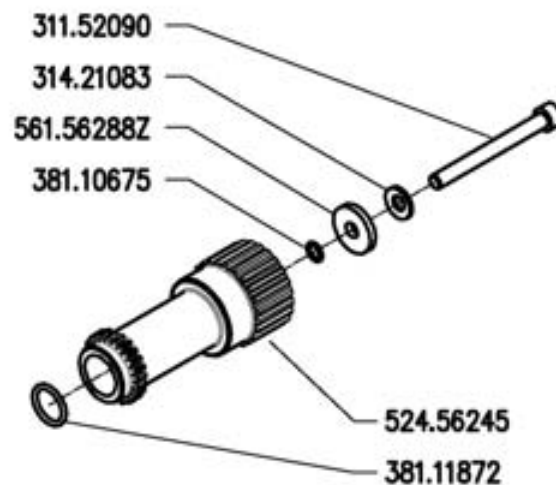
Pos.	Code	Q.ty	Description	Notes
31100023	31100023	1	SCREW 5/16-24	
31100029	31100029	1	SCREW TSVEI 7/16-20X1 1/2 UNF8G	
31100031	31100031	1	VITE TSVEI 3/8-24X1 1/2 UNF 8G	
31152090	31152090	1	SCREW TCEI M8x80 UNI5931	
31421083	31421083	1	WASHER	
35111029	35111029	1	SEEGER RING	
38110675	38110675	1	O-RING 106 (6.75X1.78)	
38111872	38111872	1	O-RING 3075 (18,72x2,62)	
52456233	52456233	1	HUB	
52456234	52456234	1	HUB	
52456243	52456243	1	HUB	
52456245	52456245	1	HUB	
56347873	56347873	1	WASHER	
56556282	56556282	1	WASHER D.25,4	
56156288	56156288Z	1	SPECIAL WASHER SP.4	
56347870	56347870Z	1	SPECIAL NUT	



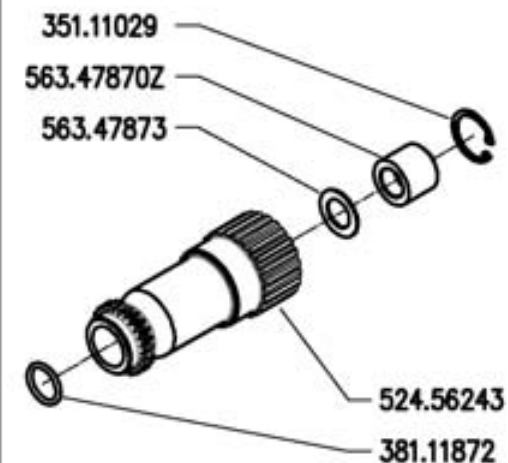
GX 160-200



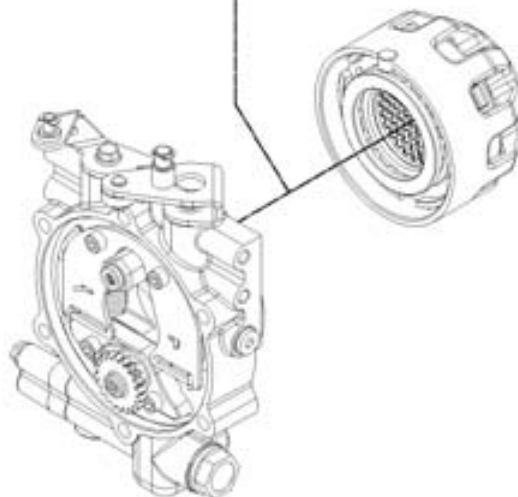
GX 240-270-340-390



15LD350-440 - L70-100



15LD500-3LD510 ★



300 serie PS  
PowerSafe®

MOZZI FRIZIONE POWERSAFE

POWERSAFE CLUTCH HUBS  
CUBOS EMBRAGUE POWERSAFE

MOYEURS EMBRAYAGE POWERSAFE  
NABEN POWERSAFE KUPPLUNG

DALLA MACCHINA  
DE LA MACCHINA  
DE LA MACCHINA  
FROM THE MACHINE  
AB DER MASCHINE



AGGIORNAMENTO  
APLAZAMIENTO  
MISE A JOUR  
REVISION  
ANPASSUNG

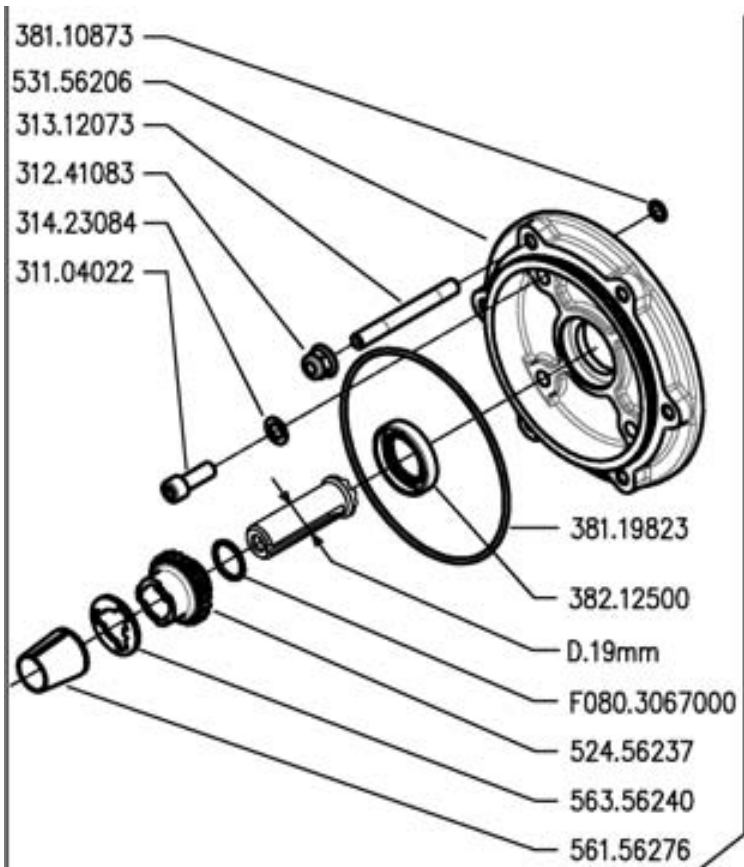
E01

11/2010

Rev. 1

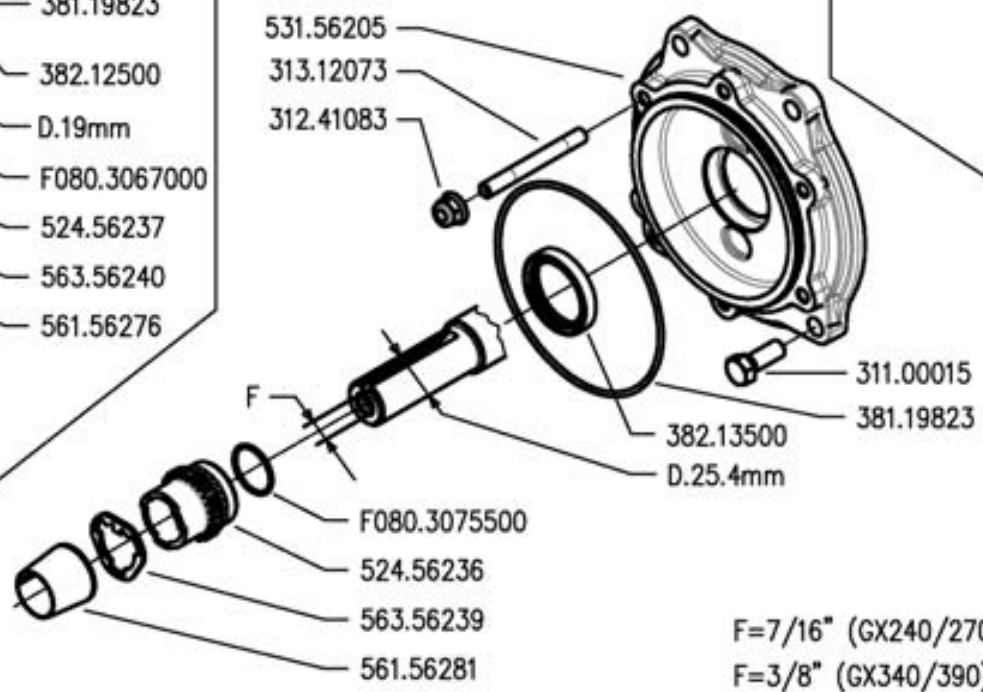


Pos.	Code	Q.ty	Description	Notes
31100023	31100023	1	SCREW 5/16-24	
31100029	31100029	1	SCREW TSVEI 7/16-20X1 1/2 UNF8G	
31100031	31100031	1	VITE TSVEI 3/8-24X1 1/2 UNF 8G	
31152090	31152090	1	SCREW TCEI M8x80 UNI5931	
31421083	31421083	1	WASHER	
35111029	35111029	1	SEEGER RING	
38110675	38110675	1	O-RING 106 (6.75X1.78)	
38111872	38111872	1	O-RING 3075 (18,72x2,62)	
52456233	52456233	1	HUB	
52456234	52456234	1	HUB	
52456243	52456243	1	HUB	
52456245	52456245	1	HUB	
56347873	56347873	1	WASHER	
56556282	56556282	1	WASHER D.25,4	
56156288	56156288Z	1	SPECIAL WASHER SP.4	
56347870	56347870Z	1	SPECIAL NUT	

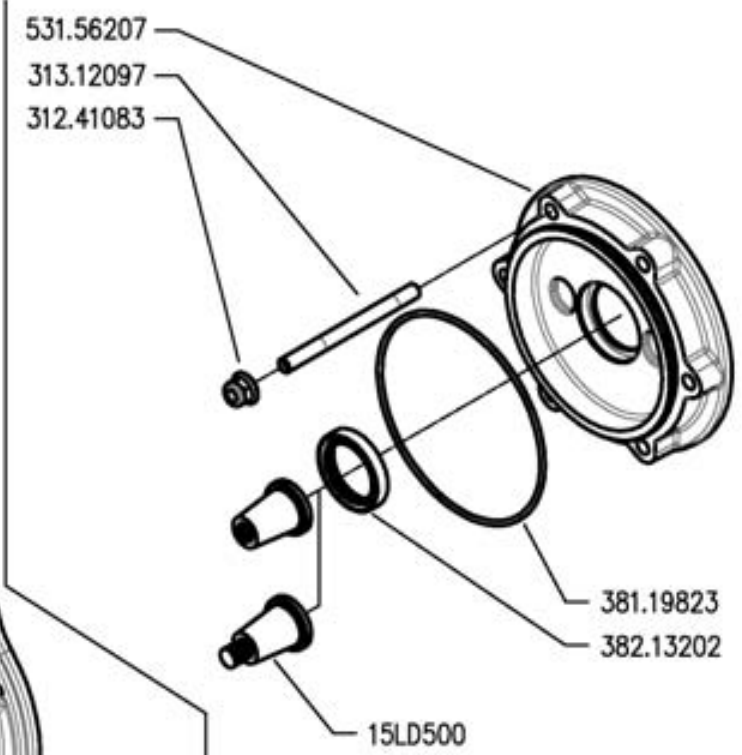


GX 160-200

GX 240-270-340-390



F=7/16" (GX240/270)  
F=3/8" (GX340/390)



15LD350-440-500  
L70-100



300 serie PS  
PowerSafe®

ENGINE FLANGES  
BRIDAS MOTOR

FLANGIE MOTORE

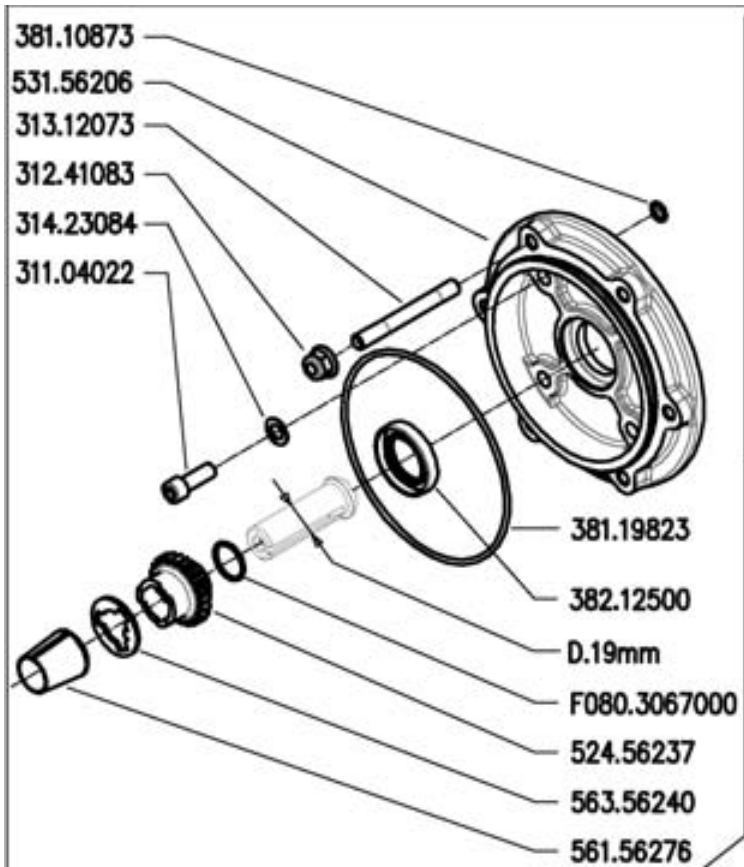
BRIDES MOTEUR  
MOTOR FLANSCH

DALLA MACCHINA  
DE LA MAQUINA  
DE LA MACHINA  
FROM THE MACHINE  
AB DER MASCHINE

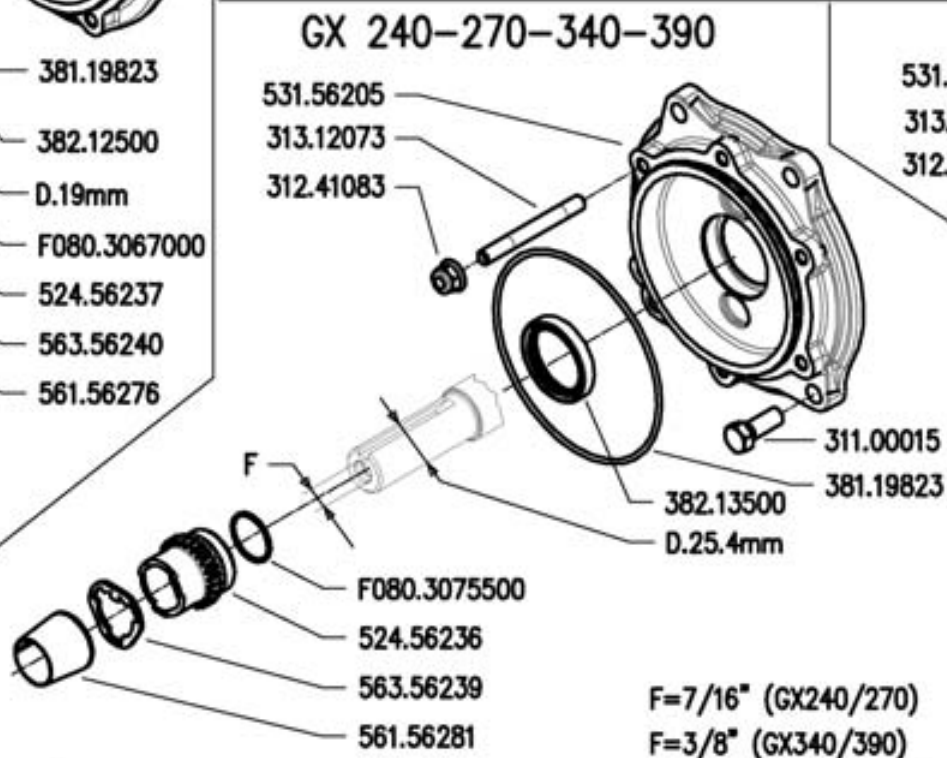
N.	

F01	Rev.	0
05/2009		

Pos.	Code	Q.ty	Description	Notes
31100015	31100015	1	SCREW TE 3/8X1	
31104022	31104022	1	VITE TCEI 5/16X7/8 UNF 12K	
31241083	31241083	1	SELFLOCK NUT M8	
31312073	31312073	1	STUD BOLT	
31312097	31312097	1	STUD BOLT	
31423084	31423084	1	SPRING WASHER 8,4	
38110873	38110873	1	O-RING 108 (8,73X1,78)	
38119823	38119823	1	O-RING	
38212500	38212500	1	OIL SEAL 25X40X7	
38213202	38213202	1	OIL SEAL 32X45X7	
38213500	38213500	1	OIL SEAL 35X47X7	
52456236	52456236	1	PUMP GEAR	
52456237	52456237	1	PUMP GEAR	
53156205	53156205	1	ENGINE FLANGE	
53156206	53156206	1	ENGINE FLANGE	
53156207	53156207	1	ENGINE FLANGE	
56156276	56156276	1	SLEEVE	
56156281	56156281	1	CENTRING BUSH	
56356239	56356239	1	TRASCINATORE Q25	
56356240	56356240	1	TRASCINATORE Q19	
F0803067	F0803067000	1	O-RING 2075 (18,77X1,78)	
F0803075	F0803075500	1	O-RING 2100 (25,12X1,78)	



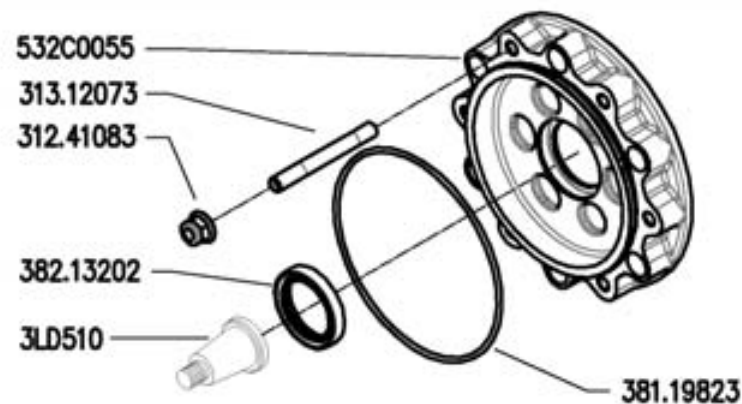
GX 160-200



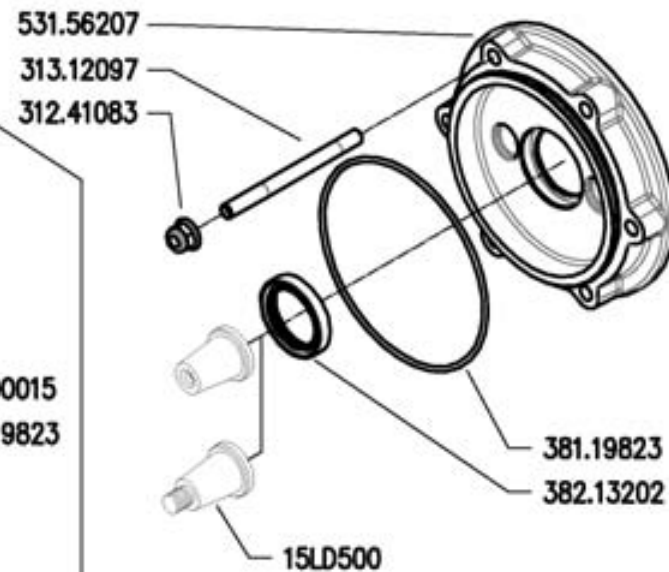
GX 240-270-340-390

F=7/16" (GX240/270)  
F=3/8" (GX340/390)

★ 3LD510



15LD350-440-500  
L70-100



300 serie PS  
PowerSafe®

ENGINE FLANGES  
BRIDAS MOTOR

FLANGIE MOTORE

BRIDES MOTEUR  
MOTOR FLANSCH

DALLA MACCHINA  
DE LA MAQUINA  
DE LA MAQUINA  
FROM THE MACHINE  
AB DER MASCHINE

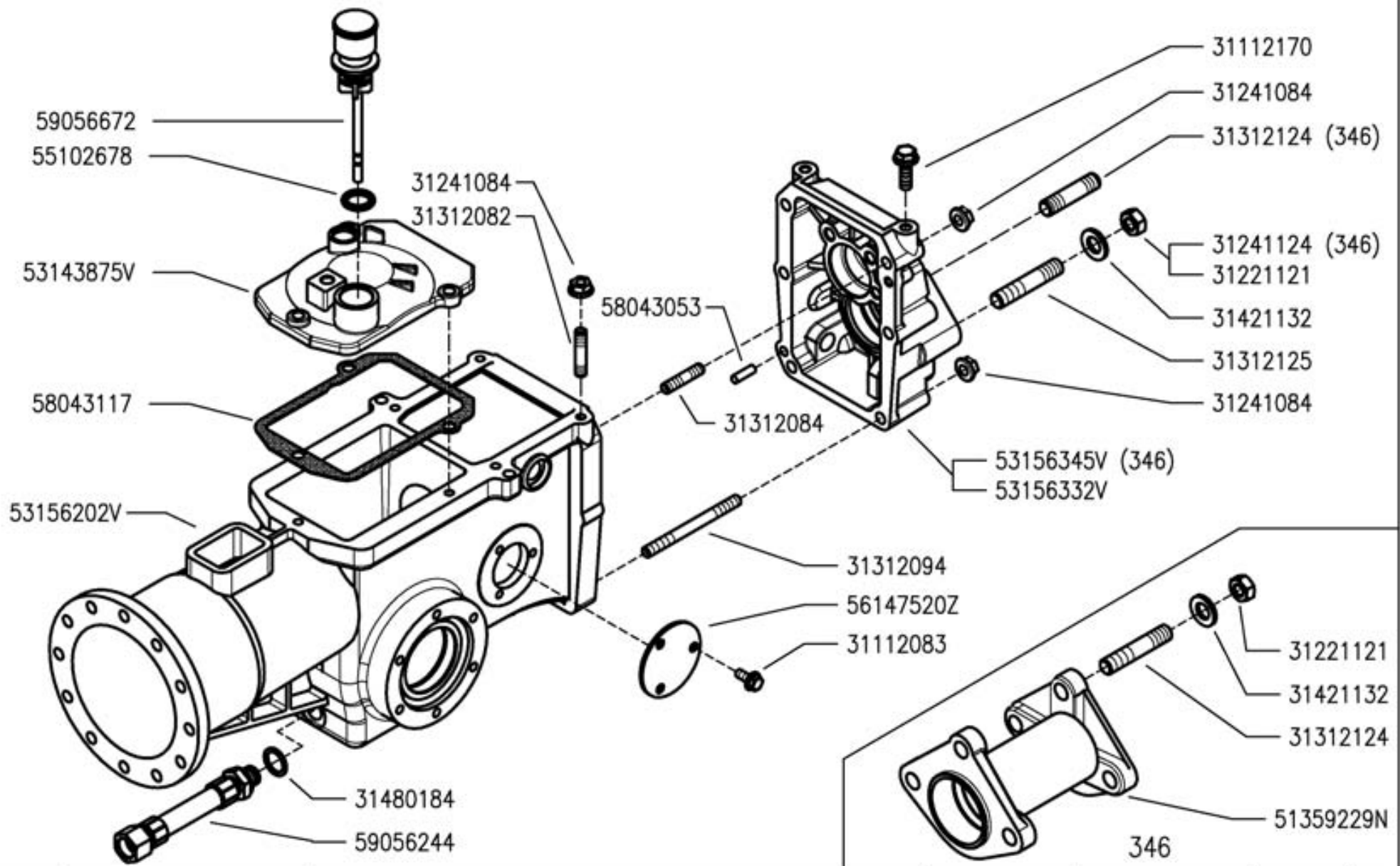
★ N.

AGGIORNAMENTO  
APLAZAMIENTO  
MISE A JOUR  
REVISION  
ANPASSUNG

Rev. F01 1  
11/2010

DITE.BCS - Scala 1:6

Pos.	Code	Q.ty	Description	Notes
31100015	31100015	1	SCREW TE 3/8X1	
31104022	31104022	1	VITE TCEI 5/16X7/8 UNF 12K	
31241083	31241083	1	SELFLOCK NUT M8	
31312073	31312073	1	STUD BOLT	
31312097	31312097	1	STUD BOLT	
31423084	31423084	1	SPRING WASHER 8,4	
38110873	38110873	1	O-RING 108 (8,73X1,78)	
38119823	38119823	1	O-RING	
38212500	38212500	1	OIL SEAL 25X40X7	
38213202	38213202	1	OIL SEAL 32X45X7	
38213500	38213500	1	OIL SEAL 35X47X7	
52456236	52456236	1	PUMP GEAR	
52456237	52456237	1	PUMP GEAR	
53156205	53156205	1	ENGINE FLANGE	
53156206	53156206	1	ENGINE FLANGE	
53156207	53156207	1	ENGINE FLANGE	
532C0055	532C0055	1	FLANGIA MOTORE ACT	
56156276	56156276	1	SLEEVE	
56156281	56156281	1	CENTRING BUSH	
56356239	56356239	1	TRASCINATORE Q25	
56356240	56356240	1	TRASCINATORE Q19	
F0803067	F0803067000	1	O-RING 2075 (18,77X1,78)	
F0803075	F0803075500	1	O-RING 2100 (25,12X1,78)	



300 serie PS  
PowerSafe®

GEARBOX  
CAJA DE CAMBIO

SCATOLA CAMBIO  
(340-346)

BOITE DE VITESSES  
WECHSELGETRIEBE

DALLA MACCHINA  
DE LA MACCHINA  
DE LA MACCHINA  
FROM THE MACHINE  
AB DER MASCHINE

N.

Rev. 0  
G02  
05/2009

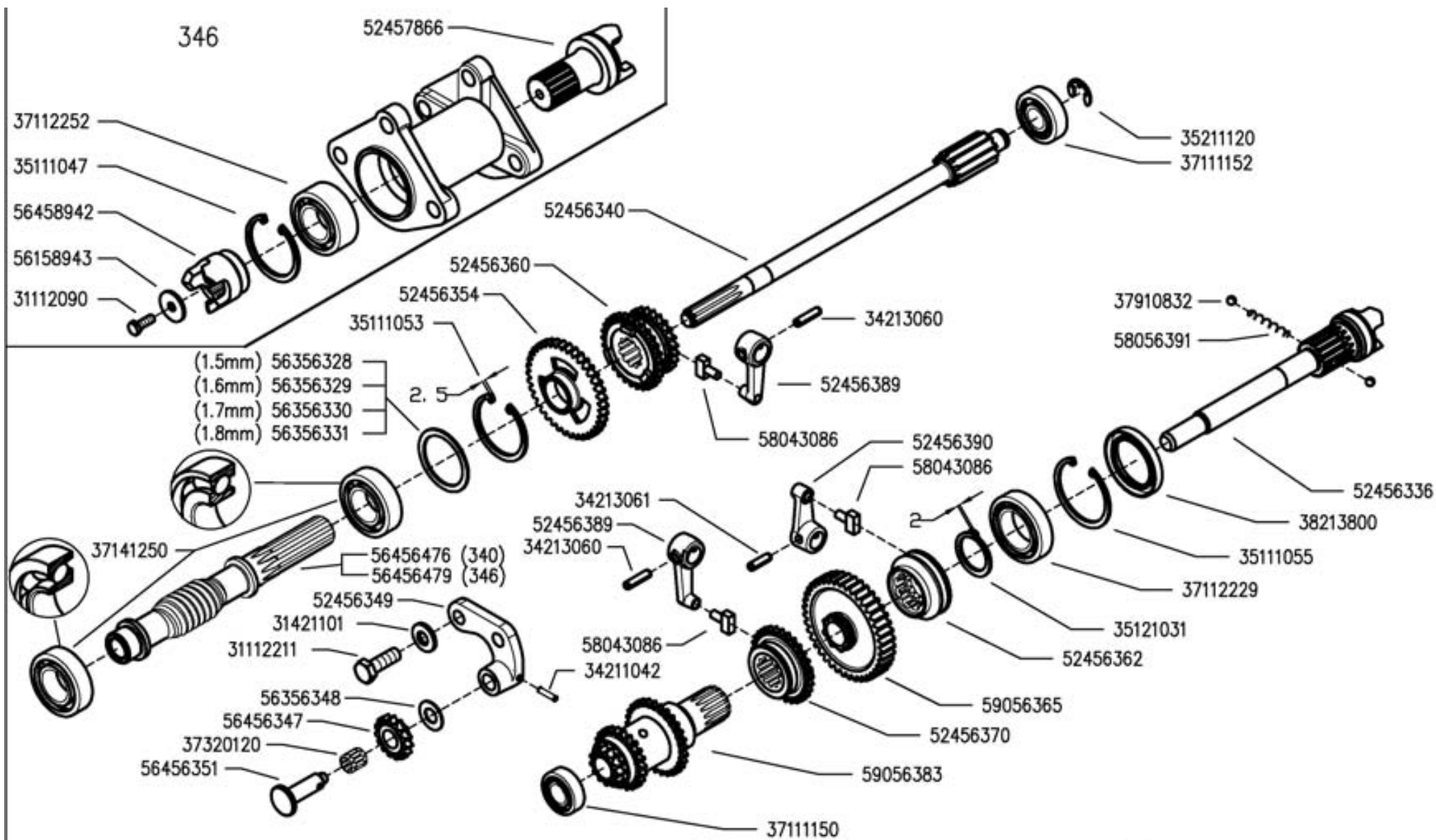
Pos.	Code	Q.ty	Description	Notes
31112083	31112083	1	SCREW M6X12	
31112170	31112170	1	SCREW TE C/F M8X20 DIN 6921	
31221121	31221121	1	NUT M12X1,25	
31241084	31241084	1	SELFLOCK NUT M8 6S	
31241124	31241124	1	SELFLOCK NUT M12x1,25	
31312082	31312082	1	STUD BOLT M8X38X14X20	
31312084	31312084	1	STUD BOLT M8X58X16X16	
31312094	31312094	1	STUD BOLT M8X68X14X36	
31312124	31312124	1	STUD BOLT	
31312125	31312125	1	STUD BOLT	
31421132	31421132	1	WASHER 13X24X2,8	
31480184	31480184	1	COPPER WASHER 16,7x22/1,5	
55102678	55102678	1	RUBBER RING	
58043053	58043053	1	CYLINDRICAL PLUG	
58043117	58043117	1	COVER GASKET	
59056244	59056244	1	TUBO ASPIRAZIONE LUNGO C.TO	
59056672	59056672	1	TAPPO C/ASTA LIVELLO OLIO ED	
51359229	51359229N	1	BODY	
53143875	53143875V	1	GEARBOX HOUSING COVER	
53156202	53156202V	1	BOX CASING	
53156332	53156332V	1	REAR COVER	
53156345	53156345V	1	REAR COVER	
56147520	56147520Z	1	COVER	

SERIAL

**GEARBOX**

CODE REV

**G02\_0\_66903**



300 serie PS  
PowerSafe®

GEARS  
ENGRANAJES

INGRANAGGI CAMBIO  
(340-346)

ENGRANAGES  
ZÄHNRÄDER

DALLA MACCHINA  
DE LA MAQUINA  
DE LA MAQUINA  
FROM THE MACHINE  
AB DER MASCHINE

N.

H03 0

05/2009

Rev. 0  
DITECS - Scala T4



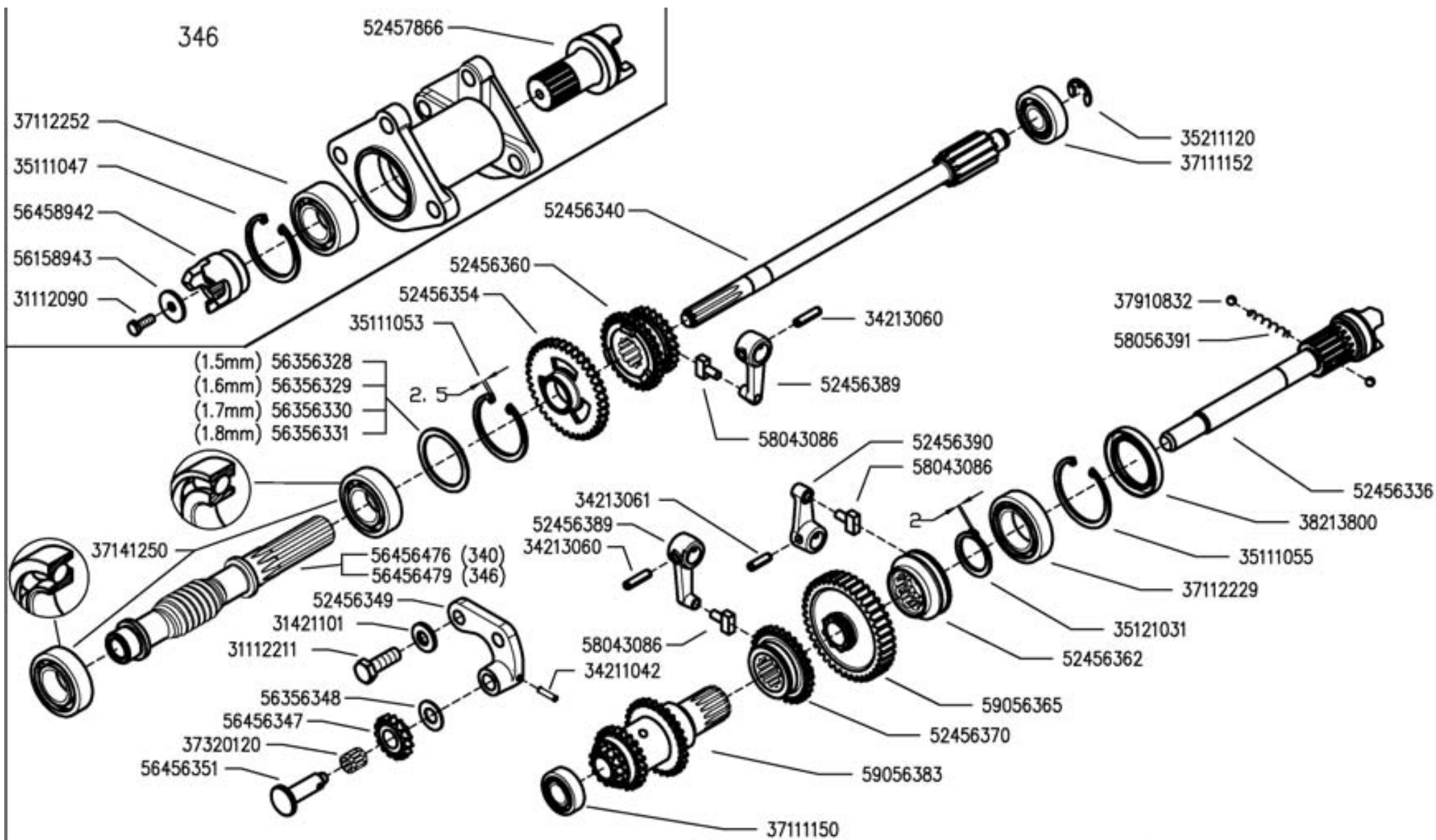
Pos.	Code	Q.ty	Description	Notes
31112090	31112090	1	SCREW TE M6X16 UNI 5739 8G	
31112211	31112211	1	SCREW TE M10X30 UNI 5739	
31421101	31421101	1	WASHER	
34211042	34211042	1	ROLL PIN	
34213060	34213060	1	ROLL PIN	
34213061	34213061	1	ROLL PIN	
35111047	35111047	1	SEEGER RING I 47 DIN 472	
35111053	35111053	1	SEEGER RING I 52 UNI 7438	
35111055	35111055	1	SEEGER RING I 55 DIN 472	
35121031	35121031	1	SEEGER RING E 30 UNI 7436	
35211120	35211120	1	SEEGER RING E 12 UNI 7434	
37111150	37111150	1	BEARING	
37111152	37111152	1	BEARING	
37112229	37112229	1	BEARING	
37112252	37112252	1	BEARING	
37141250	37141250	1	BEARING	
37320120	37320120	1	ROLLER CAGE 12X15/10	
37910832	37910832	1	BALL 1/4	
38213800	38213800	1	OIL SEAL 38X55X7	
52456336	52456336	1	PTO SHAFT	
52456340	52456340	1	SHAFT	
52456349	52456349	1	GEAR SUPPORT	
52456354	52456354	1	GEAR	
52456360	52456360	1	SLIDER	
52456362	52456362	1	COUPLING	
52456370	52456370	1	SLIDER	
52456389	52456389	1	LEVER	
52456390	52456390	1	LEVER	
52457866	52457866	1	SHAFT	
56158943	56158943	1	WASHER 7,0x25/2	
56356328	56356328	1	ADJUSTING RING SP=1,5	
56356329	56356329	1	ADJUSTING RING SP=1,6	
56356330	56356330	1	ADJUSTING RING SP=1,7	
56356331	56356331	1	ADJUSTING RING SP=1,8	

SERIAL

## GEARS

CODE REV

H03\_0\_66965



300 serie PS  
PowerSafe®

GEARS  
ENGRANAJES

INGRANAGGI CAMBIO  
(340-346)

ENGRANAGES  
ZÄHNRÄDER

DALLA MACCHINA  
DE LA MAQUINA  
DE LA MAQUINA  
FROM THE MACHINE  
AB DER MASCHINE

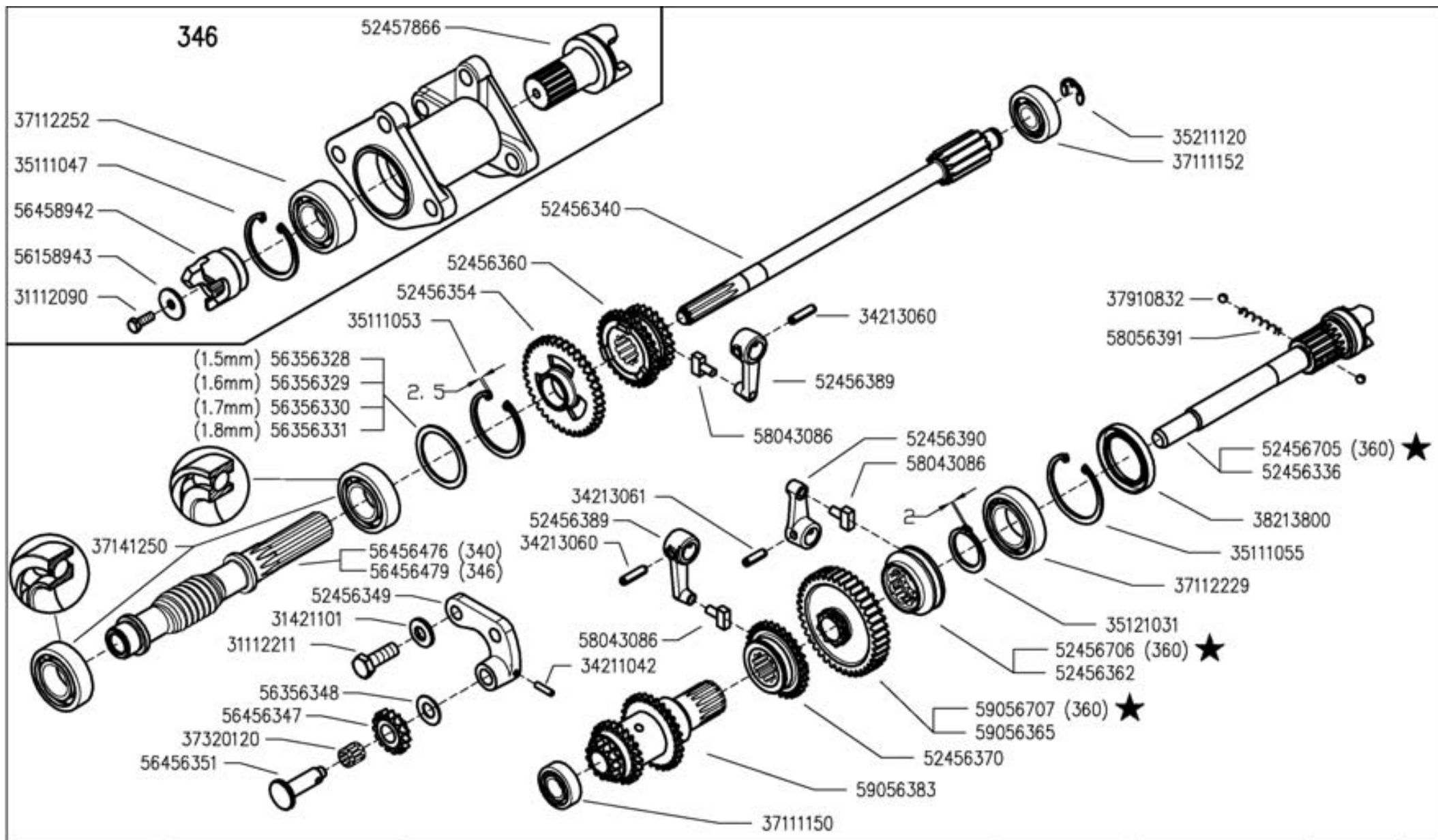
N.

H03 0

05/2009

Rev. 0  
DITEBCS - Scala 1:4

<b>Pos.</b>	<b>Code</b>	<b>Q.ty</b>	<b>Description</b>	<b>Notes</b>
56356348	56356348	1	ADJUSTING RING	
56456347	56456347	1	GEAR	
56456351	56456351	1	GEAR PIN	
56456476	56456476	1	SCREW	
56456479	56456479	1	SCREW	
56458942	56458942	1	COUPLING	
58043086	58043086	1	SHOE	
58056391	58056391	1	SPRING	
59056365	59056365	1	PTO GEAR	
59056383	59056383	1	TRIPLE GEAR	



300 serie PS  
PowerSafe®

GEARS  
ENGRANAJES

INGRANAGGI CAMBIO  
(340-346-360★)

ENGRANAGES  
ZÄHRÄDER

DALLA MACCHINA  
DE LA MAQUINA  
DE LA MACHINA  
FROM THE MACHINE  
AB DER MASCHINE

★ N.

AGGIORNAMENTO  
APLAZAMIENTO  
MISE A JOUR  
REVISION  
ANPASSUNG

H03 1

11/2010

Rev.

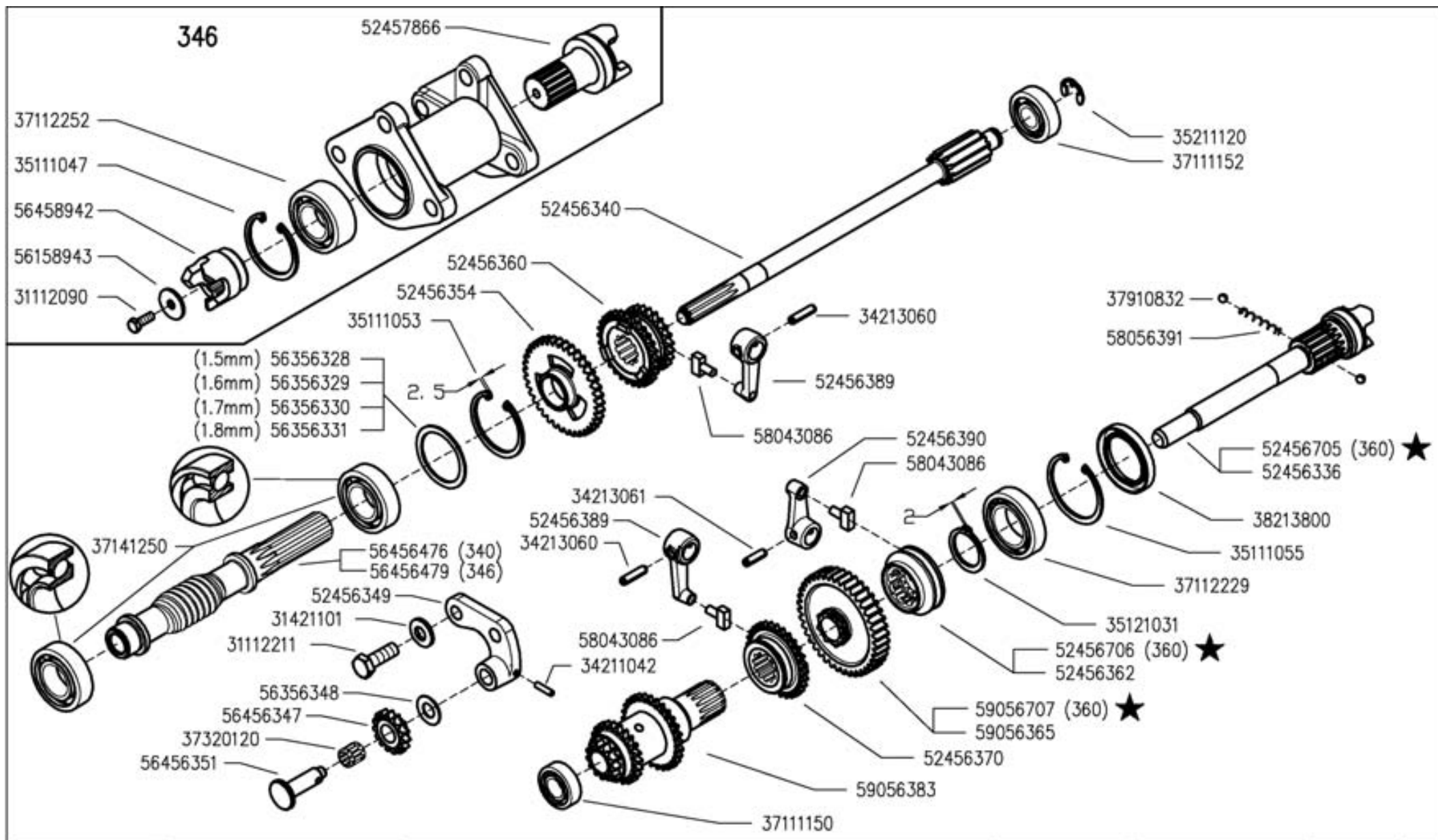
Pos.	Code	Q.ty	Description	Notes
31112090	31112090	1	SCREW TE M6X16 UNI 5739 8G	
31112211	31112211	1	SCREW TE M10X30 UNI 5739	
31421101	31421101	1	WASHER	
34211042	34211042	1	ROLL PIN	
34213060	34213060	1	ROLL PIN	
34213061	34213061	1	ROLL PIN	
35111047	35111047	1	SEEGER RING I 47 DIN 472	
35111053	35111053	1	SEEGER RING I 52 UNI 7438	
35111055	35111055	1	SEEGER RING I 55 DIN 472	
35121031	35121031	1	SEEGER RING E 30 UNI 7436	
35211120	35211120	1	SEEGER RING E 12 UNI 7434	
37111150	37111150	1	BEARING	
37111152	37111152	1	BEARING	
37112229	37112229	1	BEARING	
37112252	37112252	1	BEARING	
37141250	37141250	1	BEARING	
37320120	37320120	1	ROLLER CAGE 12X15/10	
37910832	37910832	1	BALL 1/4	
38213800	38213800	1	OIL SEAL 38X55X7	
52456336	52456336	1	PTO SHAFT	
52456340	52456340	1	SHAFT	
52456349	52456349	1	GEAR SUPPORT	
52456354	52456354	1	GEAR	
52456360	52456360	1	SLIDER	
52456362	52456362	1	COUPLING	
52456370	52456370	1	SLIDER	
52456389	52456389	1	LEVER	
52456390	52456390	1	LEVER	
52456705	52456705	1	PTO SHAFT	
52456706	52456706	1	PTO COUPLING	
52457866	52457866	1	SHAFT	
56158943	56158943	1	WASHER 7,0x25/2	
56356328	56356328	1	ADJUSTING RING SP=1,5	
56356329	56356329	1	ADJUSTING RING SP=1,6	

SERIAL

## GEARS

CODE REV

H03\_1\_77469



300 serie PS  
PowerSafe®

GEARS  
ENGRANAJES

INGRANAGGI CAMBIO  
(340-346-360★)

ENGRANAGES  
ZÄHRÄDER

DALLA MACCHINA  
DE LA MAQUINA  
DE LA MACHINA  
FROM THE MACHINE  
AB DER MASCHINE

★ N.

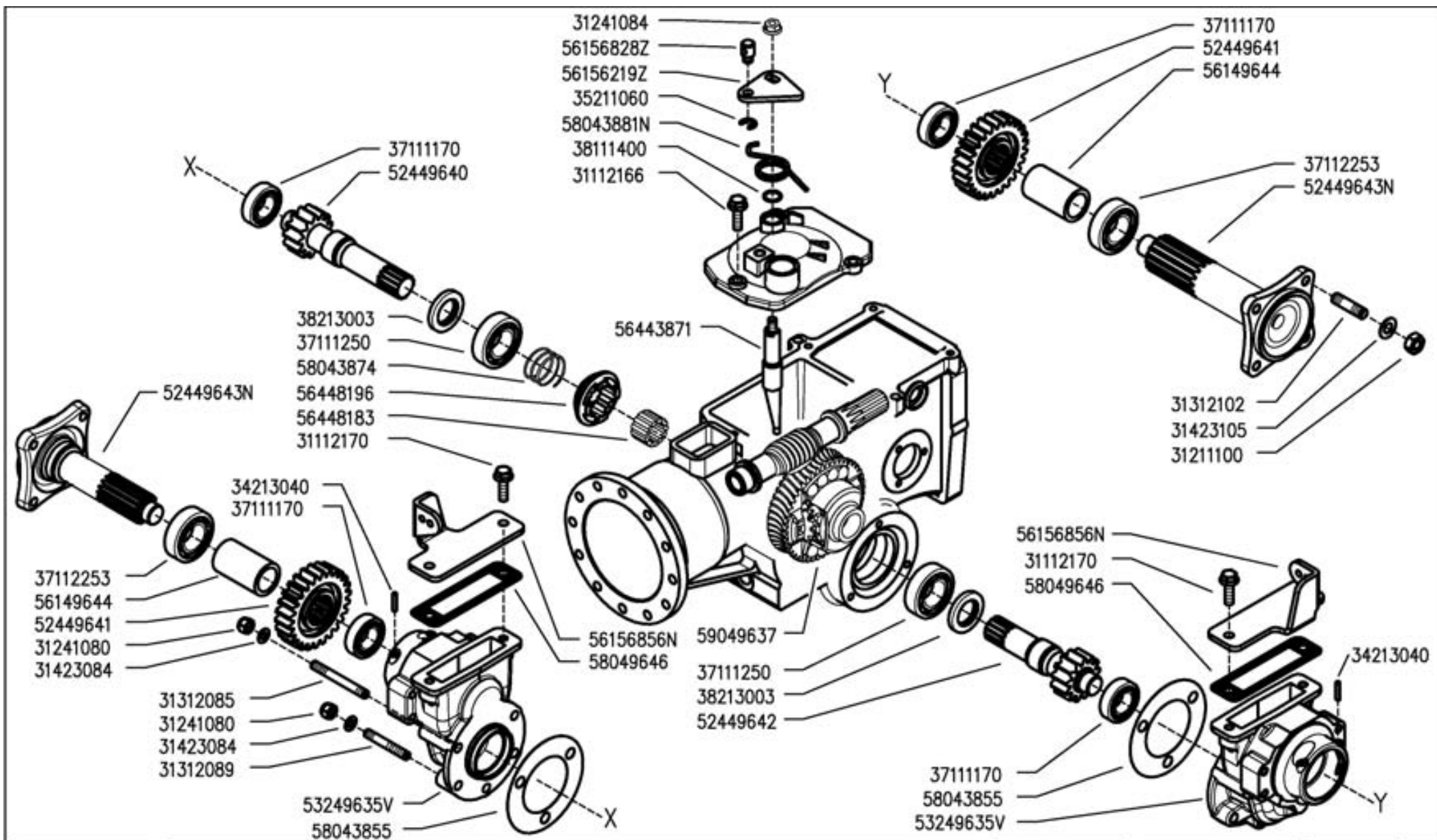
AGGIORNAMENTO  
APLAZAMIENTO  
MISE A JOUR  
REVISION  
ANPASSUNG

H03 1

11/2010

Rev.

Pos.	Code	Q.ty	Description	Notes
56356330	56356330	1	ADJUSTING RING SP=1,7	
56356331	56356331	1	ADJUSTING RING SP=1,8	
56356348	56356348	1	ADJUSTING RING	
56456347	56456347	1	GEAR	
56456351	56456351	1	GEAR PIN	
56456476	56456476	1	SCREW	
56456479	56456479	1	SCREW	
56458942	56458942	1	COUPLING	
58043086	58043086	1	SHOE	
58056391	58056391	1	SPRING	
59056365	59056365	1	PTO GEAR	
59056383	59056383	1	TRIPLE GEAR	
59056707	59056707	1	PTO GEAR	



**FERRARI**

300 serie PS  
PowerSafe®

WHEELS AXLE  
EJE RUEDAS

ASSE RUOTE  
(346)

ESSIEUS ROUES  
RÄDACHSE

DALLA MACCHINA  
DE LA MAQUINA  
DE LA MACHINA  
FROM THE MACHINE  
AB DER MASCHINE

N.

104

05/2009

Rev.

0

DIFFERENTIAL - Scala 1:5



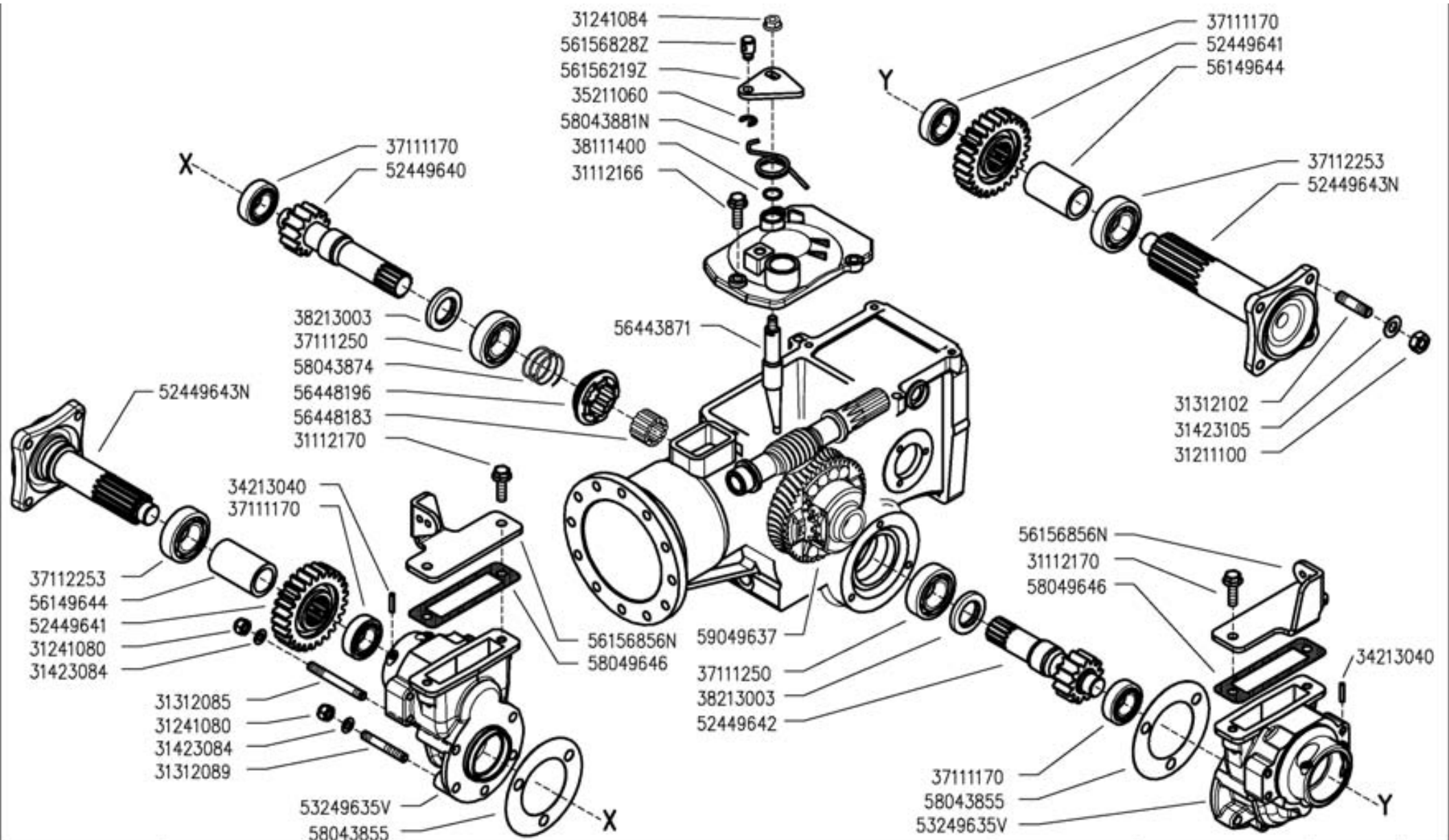
Pos.	Code	Q.ty	Description	Notes
31112166	31112166	1	SCREW TE C/F M8X25 DIN 6921 8G	
31112170	31112170	1	SCREW TE C/F M8X20 DIN 6921	
31211100	31211100	1	NUT M10	
31241080	31241080	1	SELFLOCK NUT M8	
31241084	31241084	1	SELFLOCK NUT M8 6S	
31312085	31312085	1	STUD BOLT M8X80X28X16	
31312089	31312089	1	STUD BOLT M8x52x14x18	
31312102	31312102	1	STUD BOLT M10X40X24X12	
31423084	31423084	1	SPRING WASHER 8,4	
31423105	31423105	1	SPRING WASHER 10,5	
34213040	34213040	1	ROLL PIN	
35211060	35211060	1	SEEGER RING E 6 UNI 7434	
37111170	37111170	1	BEARING	
37111250	37111250	1	BEARING	
37112253	37112253	1	BEARING	
38111400	38111400	1	O-RING 2056 (14,00X1,78)	
38213003	38213003	1	OIL SEAL 30X47X7	
52449640	52449640	1	REDUCTION SHAFT	
52449641	52449641	1	GEAR	
52449642	52449642	1	REDUCTION SHAFT	
56149644	56149644	1	SPACER	
56443871	56443871	1	ROD	
56448183	56448183	1	SPACER	
56448196	56448196	1	COUPLING	
58043855	58043855	1	GASKET	
58043874	58043874	1	SPRING	
58049646	58049646	1	COVER GASKET	
59049637	59049637	1	DIFFERENTIAL GEAR	
52449643	52449643N	1	AXLE SHAFT	
53249635	53249635V	1	REDUCTION BOX	
56156219	56156219Z	1	LEVER	
56156828	56156828Z	1	STOP	
56156856	56156856N	1	STOP	
58043881	58043881N	1	SPRING	

SERIAL

**WHEELS AXLE**

CODE REV

**I04\_0\_67119**



300 serie PS  
PowerSafe®

WHEELS AXLE  
EJE RUEDAS

ASSE RUOTE  
(346-360★)

ESSIEUS ROUES  
RÄDACHSE

DALLA MACCHINA  
DE LA MAQUINA  
FROM THE MACHINE  
AB DER MASCHINE

★ N.

AGGIORNAMENTO  
APLAZAMIENTO  
MISE A JOUR  
REVISION  
ANPASSUNG

I04

11/2010

Rev.  
1

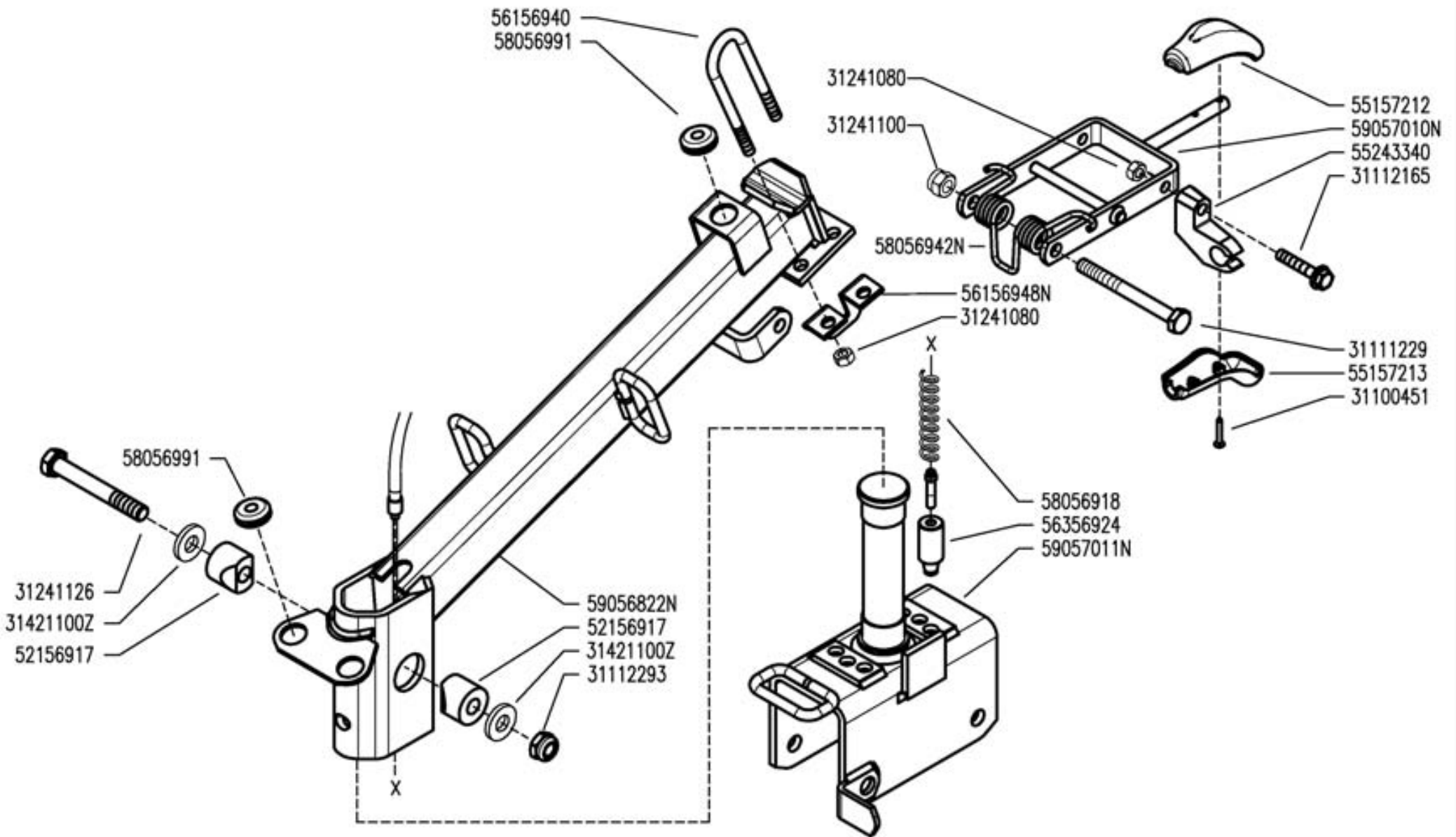
Pos.	Code	Q.ty	Description	Notes
31112166	31112166	1	SCREW TE C/F M8X25 DIN 6921 8G	
31112170	31112170	1	SCREW TE C/F M8X20 DIN 6921	
31211100	31211100	1	NUT M10	
31241080	31241080	1	SELFLOCK NUT M8	
31241084	31241084	1	SELFLOCK NUT M8 6S	
31312085	31312085	1	STUD BOLT M8X80X28X16	
31312089	31312089	1	STUD BOLT M8x52x14x18	
31312102	31312102	1	STUD BOLT M10X40X24X12	
31423084	31423084	1	SPRING WASHER 8,4	
31423105	31423105	1	SPRING WASHER 10,5	
34213040	34213040	1	ROLL PIN	
35211060	35211060	1	SEEGER RING E 6 UNI 7434	
37111170	37111170	1	BEARING	
37111250	37111250	1	BEARING	
37112253	37112253	1	BEARING	
38111400	38111400	1	O-RING 2056 (14,00X1,78)	
38213003	38213003	1	OIL SEAL 30X47X7	
52449640	52449640	1	REDUCTION SHAFT	
52449641	52449641	1	GEAR	
52449642	52449642	1	REDUCTION SHAFT	
56149644	56149644	1	SPACER	
56443871	56443871	1	ROD	
56448183	56448183	1	SPACER	
56448196	56448196	1	COUPLING	
58043855	58043855	1	GASKET	
58043874	58043874	1	SPRING	
58049646	58049646	1	COVER GASKET	
59049637	59049637	1	DIFFERENTIAL GEAR	
52449643	52449643N	1	AXLE SHAFT	
53249635	53249635V	1	REDUCTION BOX	
56156219	56156219Z	1	LEVER	
56156828	56156828Z	1	STOP	
56156856	56156856N	1	STOP	
58043881	58043881N	1	SPRING	

SERIAL

**WHEELS AXLE**

CODE REV

**I04\_1\_77517**



**FERRARI**

300 serie PS  
PowerSafe®

STEERING COLUMN  
COLUMNA

PIANTONE  
(340-346)

PLANTON  
LENKSÄULE

DALLA MACCHINA  
DE LA MAQUINA  
DE LA MACHINA  
FROM THE MACHINE  
AB DER MASCHINE

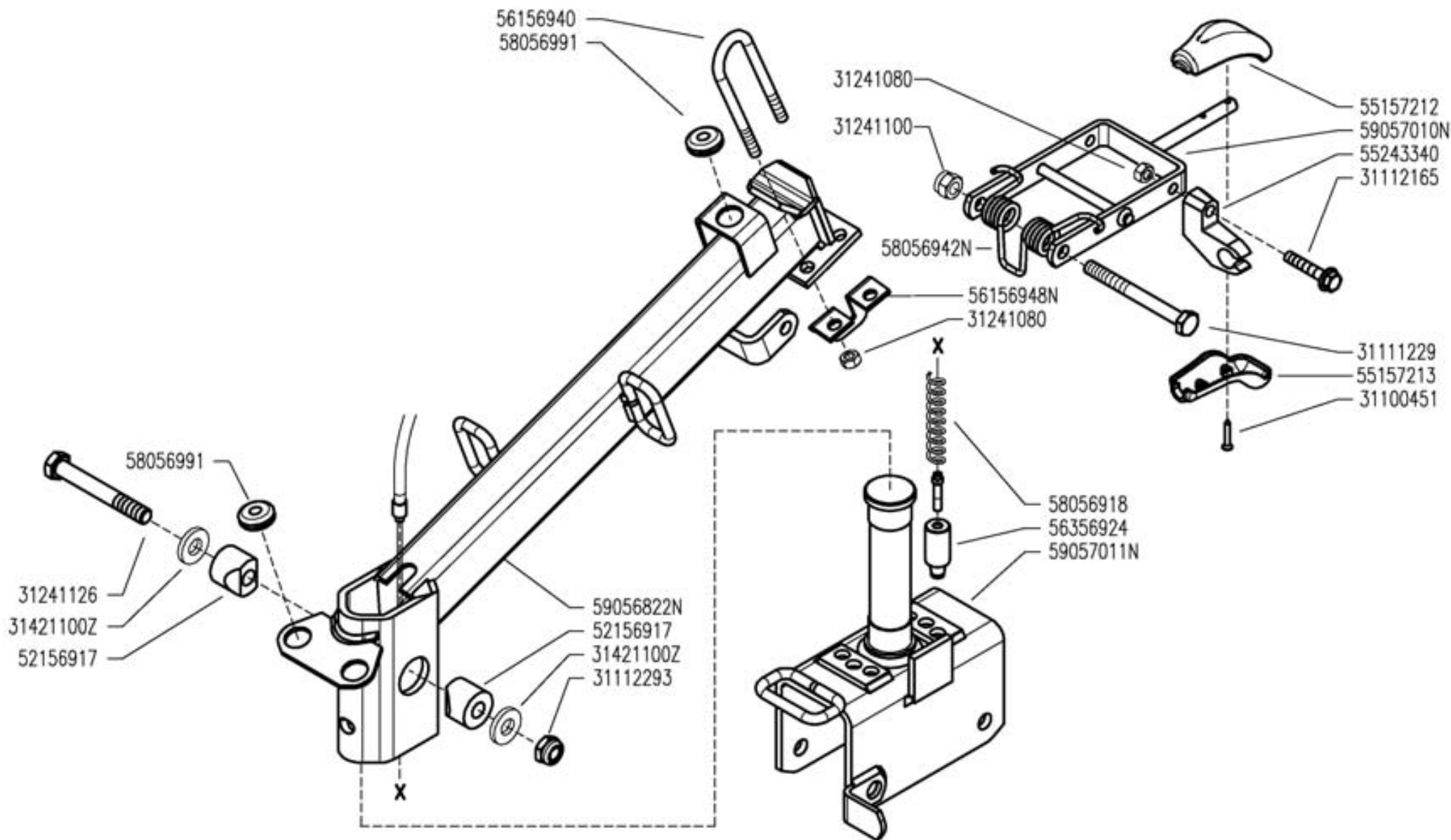
N.

J03 0

05/2009

DITEBCS - Scala 1/4

Pos.	Code	Q.ty	Description	Notes
31100451	31100451	1	SCREW 3,5X25	
31111229	31111229	1	SCREW TE M10X110 UNI 5737 8G	
31112165	31112165	1	SCREW TE C/F M8X35 DIN 6921 8G	
31112293	31112293	1	SCREW TE M12X80 UNI 5737	
31241080	31241080	1	SELFLOCK NUT M8	
31241100	31241100	1	SELFLOCK NUT M10 6S	
31241126	31241126	1	SELFLOCK NUT M12	
52156917	52156917	1	WEDGE	
55157212	55157212	1	GRIP	
55157213	55157213	1	GRIP	
55243340	55243340	1	SUPPORT	
56156940	56156940	1	U BOLT	
56356924	56356924	1	FERRULE	
58056918	58056918	1	SPRING	
58056991	58056991	1	CABLE GLAND	
31421100	31421100Z	1	CUP SPRING	
56156948	56156948N	1	STOP	
58056942	58056942N	1	SPRING	
59056822	59056822N	1	COLUMN	
59057010	59057010N	1	LEVER	
59057011	59057011N	1	CONNECTION	



**FERRARI**

300 serie PS  
PowerSafe®

STEERING COLUMN  
COLUMNA

PIANTONE  
(340-346-360 ★)

PLANTON  
LENKSÄULE

DALLA MACCHINA  
DE LA MACCHINA  
DE LA MACCHINA  
FROM THE MACHINE  
AB DER MASCHINE

★N.

AGGIORNAMENTO  
APLAZAMIENTO  
MISE A JOUR  
REVISION  
ANPASSUNG

J03

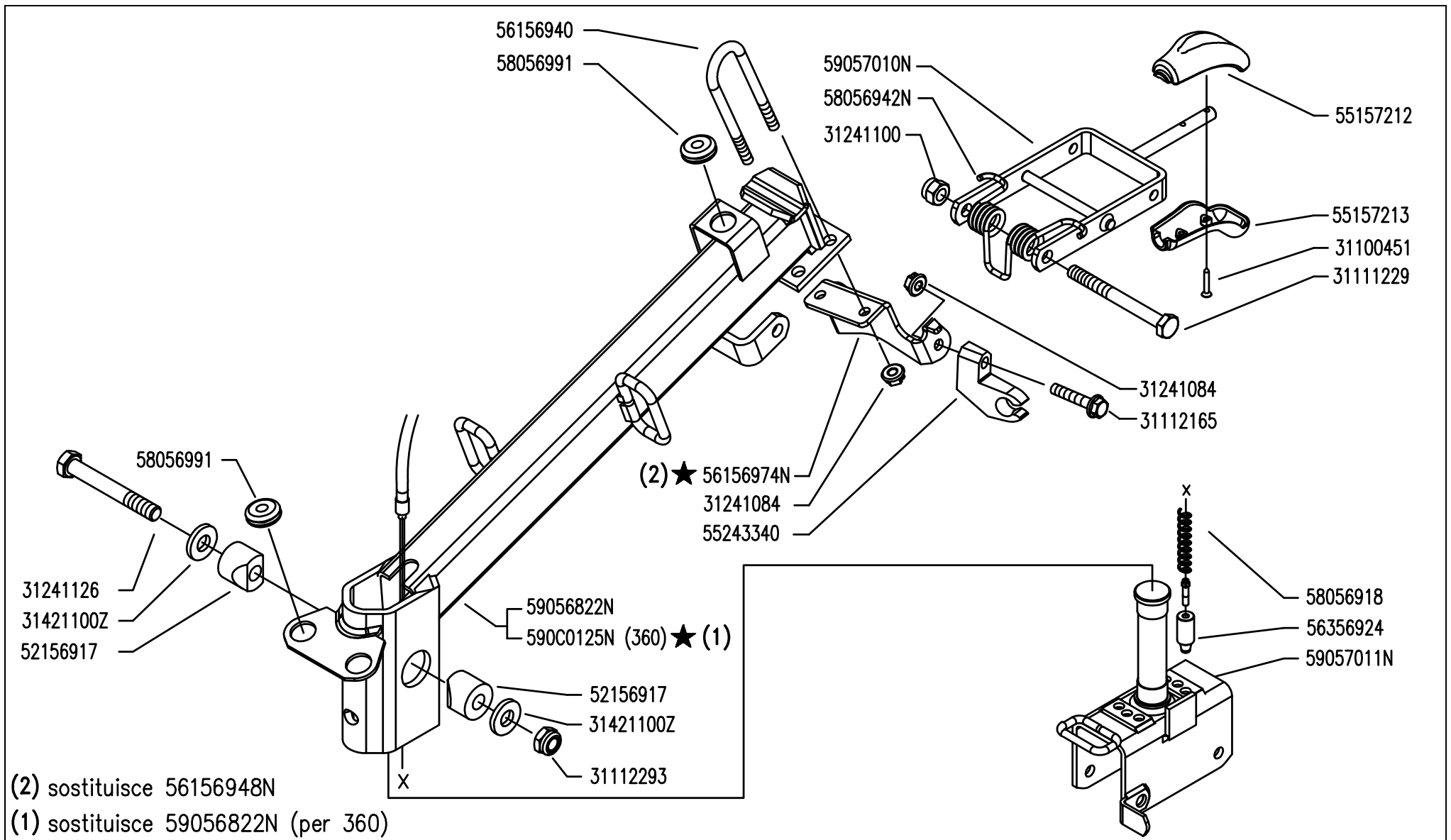
11/2010

Rev.

1

NOTE: BCS - Scala 1:4

Pos.	Code	Q.ty	Description	Notes
31100451	31100451	1	SCREW 3,5X25	
31111229	31111229	1	SCREW TE M10X110 UNI 5737 8G	
31112165	31112165	1	SCREW TE C/F M8X35 DIN 6921 8G	
31112293	31112293	1	SCREW TE M12X80 UNI 5737	
31241080	31241080	1	SELFLOCK NUT M8	
31241100	31241100	1	SELFLOCK NUT M10 6S	
31241126	31241126	1	SELFLOCK NUT M12	
52156917	52156917	1	WEDGE	
55157212	55157212	1	GRIP	
55157213	55157213	1	GRIP	
55243340	55243340	1	SUPPORT	
56156940	56156940	1	U BOLT	
56356924	56356924	1	FERRULE	
58056918	58056918	1	SPRING	
58056991	58056991	1	CABLE GLAND	
31421100	31421100Z	1	CUP SPRING	
56156948	56156948N	1	STOP	
58056942	58056942N	1	SPRING	
59056822	59056822N	1	COLUMN	
59057010	59057010N	1	LEVER	
59057011	59057011N	1	CONNECTION	

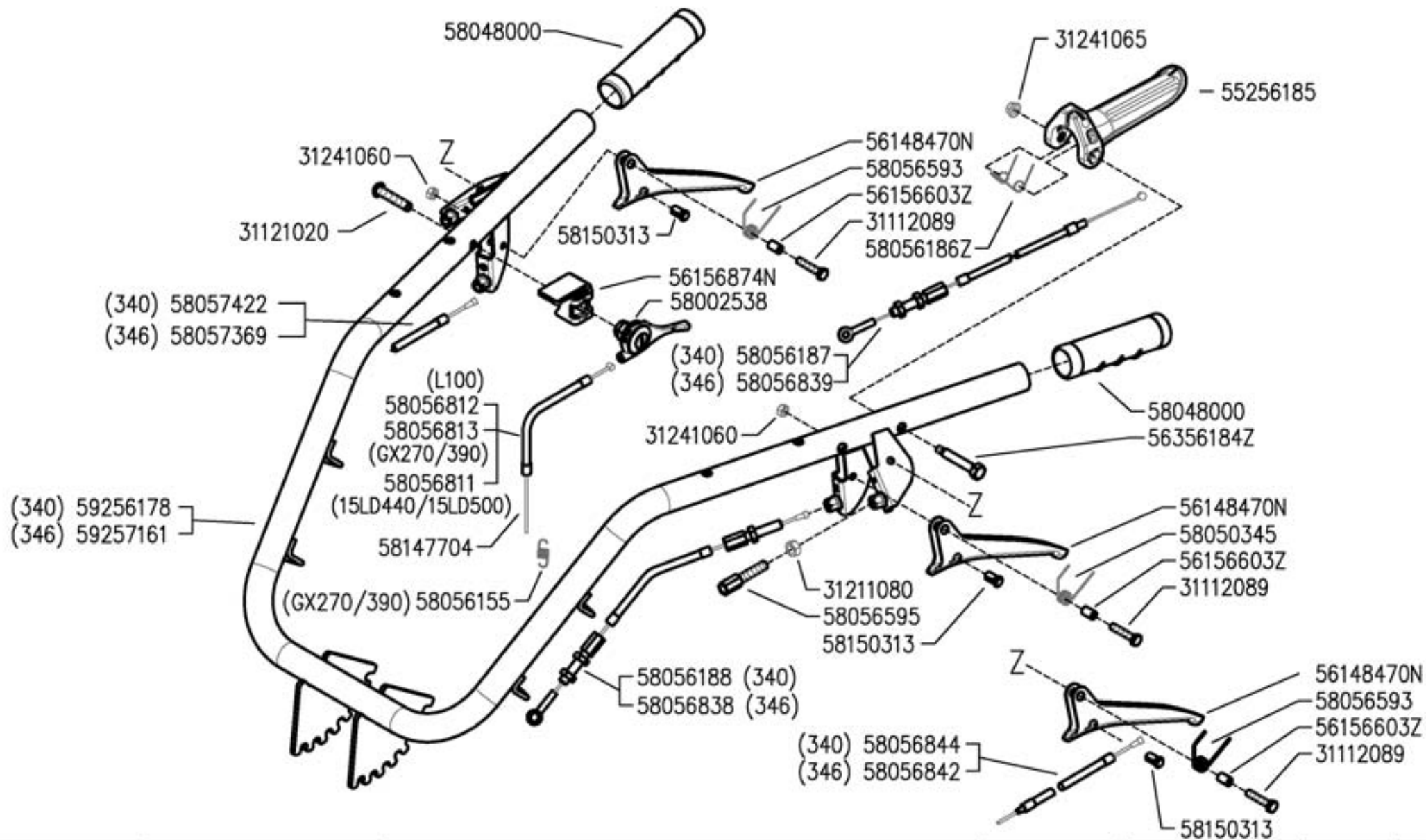


(2) sostituisce 56156948N  
 (1) sostituisce 59056822N (per 360)

	<b>300 serie PS</b> <b>PowerSafe®</b>	STEERING COLUMN COLUMNNA	<b>PIANTONE</b> (340-346-360)	PLANTON LENKSÄULE	DALLA MACCHINA DE LA MAQUINA DE LA MACHINE FROM THE MACHINE AB DER MASCHINE ★ N.	<input type="text"/>	<b>J03</b>	Rev. <b>2</b>
						<input type="text"/>		
						<b>901936</b>		



Pos.	Code	Q.ty	Description	Notes
31100451	31100451	1	SCREW 3,5X25	
31111229	31111229	1	SCREW TE M10X110 UNI 5737 8G	
31112165	31112165	1	SCREW TE C/F M8X35 DIN 6921 8G	
31112293	31112293	1	SCREW TE M12X80 UNI 5737	
31241084	31241084	1	SELFLOCK NUT M8 6S	
31241100	31241100	1	SELFLOCK NUT M10 6S	
31241126	31241126	1	SELFLOCK NUT M12	
55157212	55157212	1	GRIP	
55157213	55157213	1	GRIP	
55243340	55243340	1	SUPPORT	
56156940	56156940	1	U BOLT	
56356924	56356924	1	FERRULE	
58056918	58056918	1	SPRING	
58056991	58056991	1	CABLE GLAND	
31421100	31421100Z	1	CUP SPRING	
56156974	56156974N	1	SUPPORTO FISSO ASTE MC	Sostituisce 56156948N
58056942	58056942N	1	SPRING	
59056822	59056822N	1	COLUMN	
59057010	59057010N	1	LEVER	
59057011	59057011N	1	CONNECTION	
590C0125	590C0125N	1	PIANTONE POWERSAFE 750 C.TO	



**FERRARI**

300 serie PS  
PowerSafe®

HANDLEBAR  
MANILLAR

MANUBRIO  
(340-346)

MANCHERON  
LINCHER

DALLA MACCHINA  
DE LA MAQUINA  
DE LA MAQUINA  
FROM THE MACHINE  
AB DER MASCHINE

N.

K03 0

05/2009

Rev.

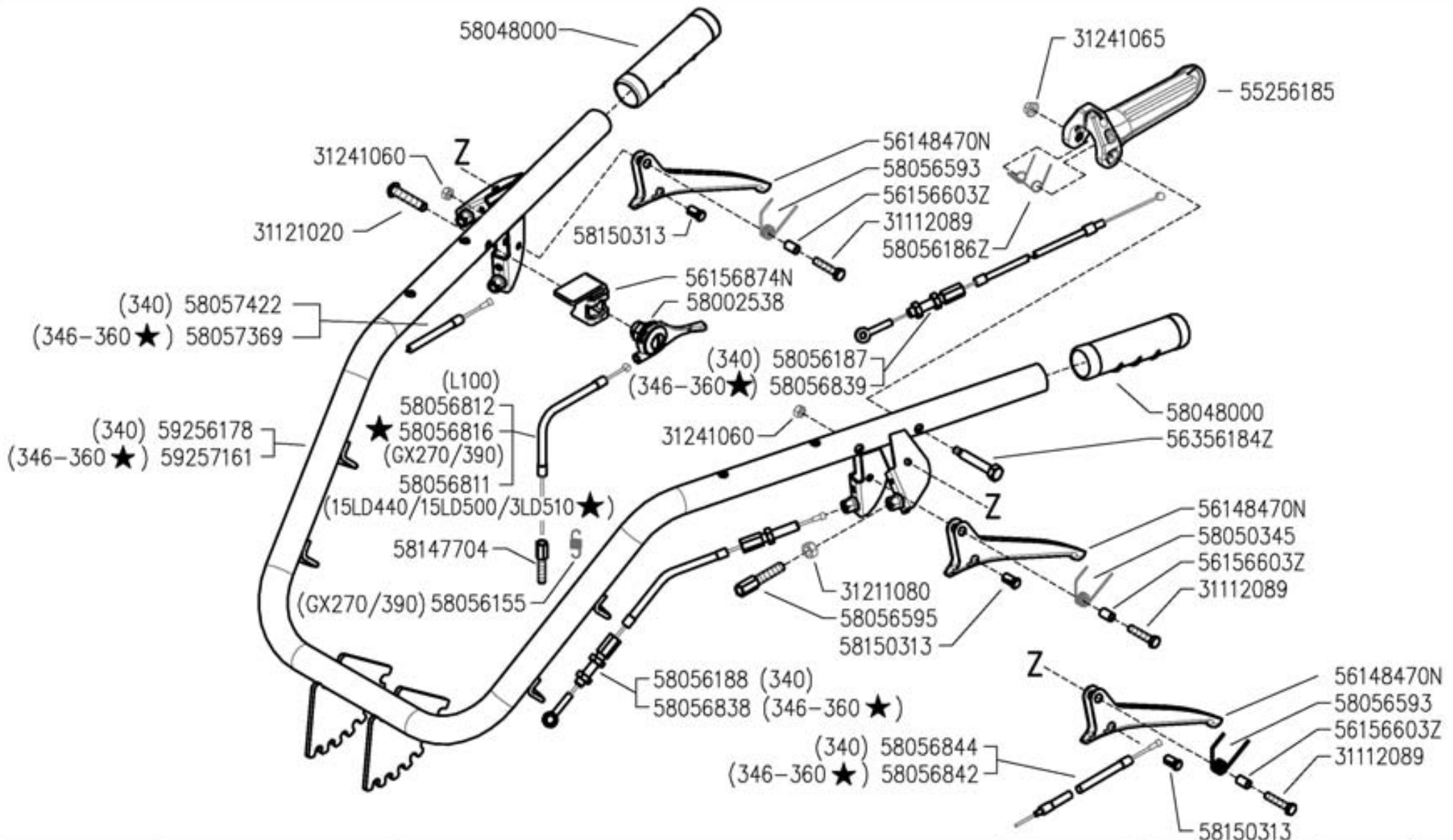
Pos.	Code	Q.ty	Description	Notes
31112089	31112089	1	SCREW TE M6X25 UNI 5739 8G	
31121020	31121020	1	SCREW TBCEI M8X40 ISO7380 10K Z	
31211080	31211080	1	NUT M8	
31241060	31241060	1	SELFLOCK NUT M6	
31241065	31241065	1	SELFLOCK NUT M6	
55256185	55256185	1	LEVER	
58002538	58002538	1	COMMAND LEVER	
58048000	58048000	1	KNOB	
58050345	58050345	1	SPRING	
58056155	58056155	1	RESTORING SPRING	Utilizzato con motore GX270
58056187	58056187	1	LINE	
58056188	58056188	1	LINE	
58056593	58056593	1	SPRING	
58056595	58056595	1	ADJUSTING SCREW	
58056811	58056811	1	LINE AND SHEATH	
58056812	58056812	1	LINE AND SHEATH	
58056813	58056813	1	LINE AND SHEATH	
58056838	58056838	1	LINE	
58056839	58056839	1	LINE	
58056842	58056842	1	LINE AND SHEATH	
58056844	58056844	1	LINE AND SHEATH	
58057369	58057369	1	TRANSMISSION	
58057422	58057422	1	TRASM.SBLOCC.PIANTONE MC740/08	
58147704	58147704	1	ADJUSTING SCREW	
58150313	58150313	1	CABLE CLAMP	
59256178	59256178	1	HANDLE BAR	
59257161	59257161	1	HANDLE BAR	
56148470	56148470N	1	LEVER	
56156603	56156603Z	1	SPACER	
56156874	56156874N	1	PANEL	
56356184	56356184Z	1	LEVER PIN	
58056186	58056186Z	1	SPRING	

SERIAL

**HANDLEBAR**

CODE REV

**K03\_0\_67265**



300 serie PS  
PowerSafe®

HANDLEBAR  
MANILLAR

MANUBRIO  
(340-346-360 ★)

MANCHERON  
LINCHER

DALLA MACCHINA  
DE LA MAQUINA  
DE LA MACHINA  
FROM THE MACHINE  
AB DER MASCHINE

★ N.

AGGIORNAMENTO  
APLAZAMIENTO  
MISE A JOUR  
REVISION  
ANPASSUNG

K03 1

11/2010

Rev.

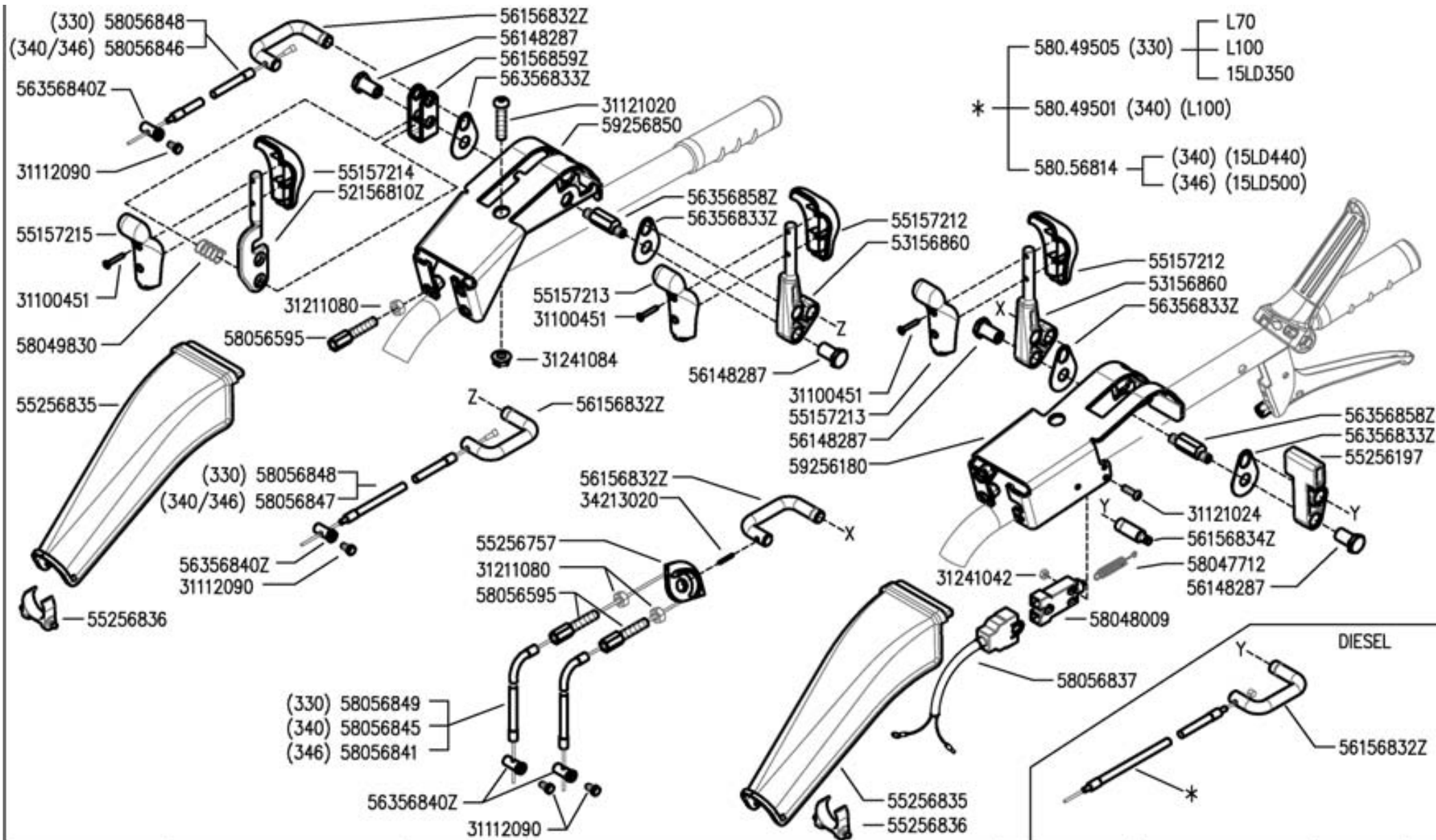
Pos.	Code	Q.ty	Description	Notes
31112089	31112089	1	SCREW TE M6X25 UNI 5739 8G	
31121020	31121020	1	SCREW TBCEI M8X40 ISO7380 10K Z	
31211080	31211080	1	NUT M8	
31241060	31241060	1	SELFLOCK NUT M6	
31241065	31241065	1	SELFLOCK NUT M6	
55256185	55256185	1	LEVER	
58002538	58002538	1	COMMAND LEVER	
58048000	58048000	1	KNOB	
58050345	58050345	1	SPRING	
58056155	58056155	1	RESTORING SPRING	Utilizzato con motore GX270
58056187	58056187	1	LINE	
58056188	58056188	1	LINE	
58056593	58056593	1	SPRING	
58056595	58056595	1	ADJUSTING SCREW	
58056811	58056811	1	LINE AND SHEATH	
58056812	58056812	1	LINE AND SHEATH	
58056816	58056816	1	LINE AND SHEATH	
58056838	58056838	1	LINE	
58056839	58056839	1	LINE	
58056842	58056842	1	LINE AND SHEATH	
58056844	58056844	1	LINE AND SHEATH	
58057369	58057369	1	TRANSMISSION	
58057422	58057422	1	TRASM.SBLOCC.PIANTONE MC740/08	
58147704	58147704	1	ADJUSTING SCREW	
58150313	58150313	1	CABLE CLAMP	
59256178	59256178	1	HANDLE BAR	
59257161	59257161	1	HANDLE BAR	
56148470	56148470N	1	LEVER	
56156603	56156603Z	1	SPACER	
56156874	56156874N	1	PANEL	
56356184	56356184Z	1	LEVER PIN	
58056186	58056186Z	1	SPRING	

SERIAL

**HANDLEBAR (340\_346\_360 )**

CODE REV

**K03\_1\_77574**



**FERRARI**

300 serie PS  
PowerSafe®

HANDLEBAR CONTROLS  
CONTROLES EN EL MANILLAR

COMANDI SUL MANUBRIO  
(330-340-346)

CONTROLES SUR LE MANCHERON  
KONTROLLEN AM LINCHER

DALLA MACCHINA  
DE LA MAQUINA  
DE LA MAQUINA  
FROM THE MACHINE  
AB DER MASCHINE

N.

Rev. L03 0  
05/2009

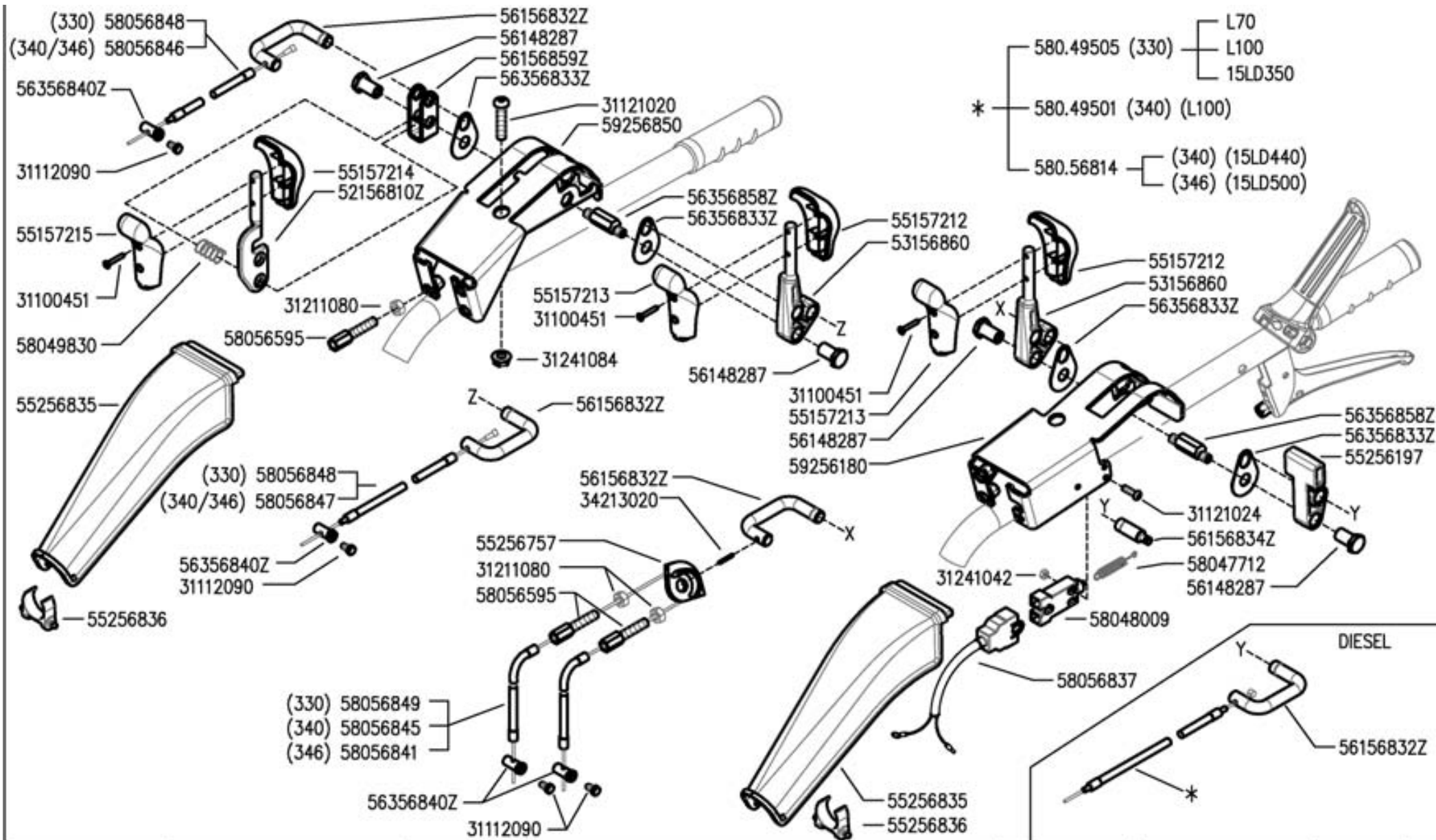
Pos.	Code	Q.ty	Description	Notes
31100451	31100451	1	SCREW 3,5X25	
31112090	31112090	1	SCREW TE M6X16 UNI 5739 8G	
31121020	31121020	1	SCREW TBCEI M8X40 ISO7380 10K Z	
31121024	31121024	1	SCREW TBCEI FL.M4X25	
31211080	31211080	1	NUT M8	
31241042	31241042	1	SELFLOCK NUT M4 FL.6S	
31241084	31241084	1	SELFLOCK NUT M8 6S	
34213020	34213020	1	ROLL PIN	
53156860	53156860	1	COMMAND LEVER	
55157212	55157212	1	GRIP	
55157213	55157213	1	GRIP	
55157214	55157214	1	GRIP	
55157215	55157215	1	GRIP	
55256197	55256197	1	LEVER	
55256757	55256757	1	PULLEY	
55256835	55256835	1	PROTECTION COVER	
55256836	55256836	1	CROSS MEMBER	
56148287	56148287	1	STUD BOLT	
58047712	58047712	1	SPRING	
58048009	58048009	1	SWITCH	
58049501	58049501	1	LINE AND SHEATH	
58049505	58049505	1	LINE AND SHEATH	
58049830	58049830	1	SPRING	
58056595	58056595	1	ADJUSTING SCREW	
58056814	58056814	1	LINE AND SHEATH	
58056837	58056837	1	WIRING	
58056841	58056841	1	LINE AND SHEATH	
58056845	58056845	1	LINE AND SHEATH	
58056846	58056846	1	LINE AND SHEATH	
58056847	58056847	1	LINE AND SHEATH	
58056848	58056848	1	LINE AND SHEATH	
58056849	58056849	1	LINE AND SHEATH	
59256180	59256180	1	SUPPORT	
59256850	59256850	1	SUPPORT	

SERIAL

## HANDLEBAR CONTROLS

CODE REV

L03\_0\_67358



**FERRARI**

300 serie PS  
PowerSafe®

HANDLEBAR CONTROLS  
CONTROLES EN EL MANILLAR

COMANDI SUL MANUBRIO  
(330-340-346)

CONTROLES SUR LE MANCHERON  
KONTROLLEN AM LINCHER

DALLA MACCHINA  
DE LA MAQUINA  
DE LA MAQUINA  
FROM THE MACHINE  
AB DER MASCHINE

N.

L03 0  
05/2009



Pos.	Code	Q.ty	Description	Notes
52156810	52156810Z	1	COMMAND LEVER	
56156832	56156832Z	1	U BOLT	
56156834	56156834Z	1	INDEXING BOLT	
56156859	56156859Z	1	FORK	
56356833	56356833Z	1	SMALL PLATE	
56356840	56356840Z	1	CLAMPING SCREW	
56356858	56356858Z	1	PIN	

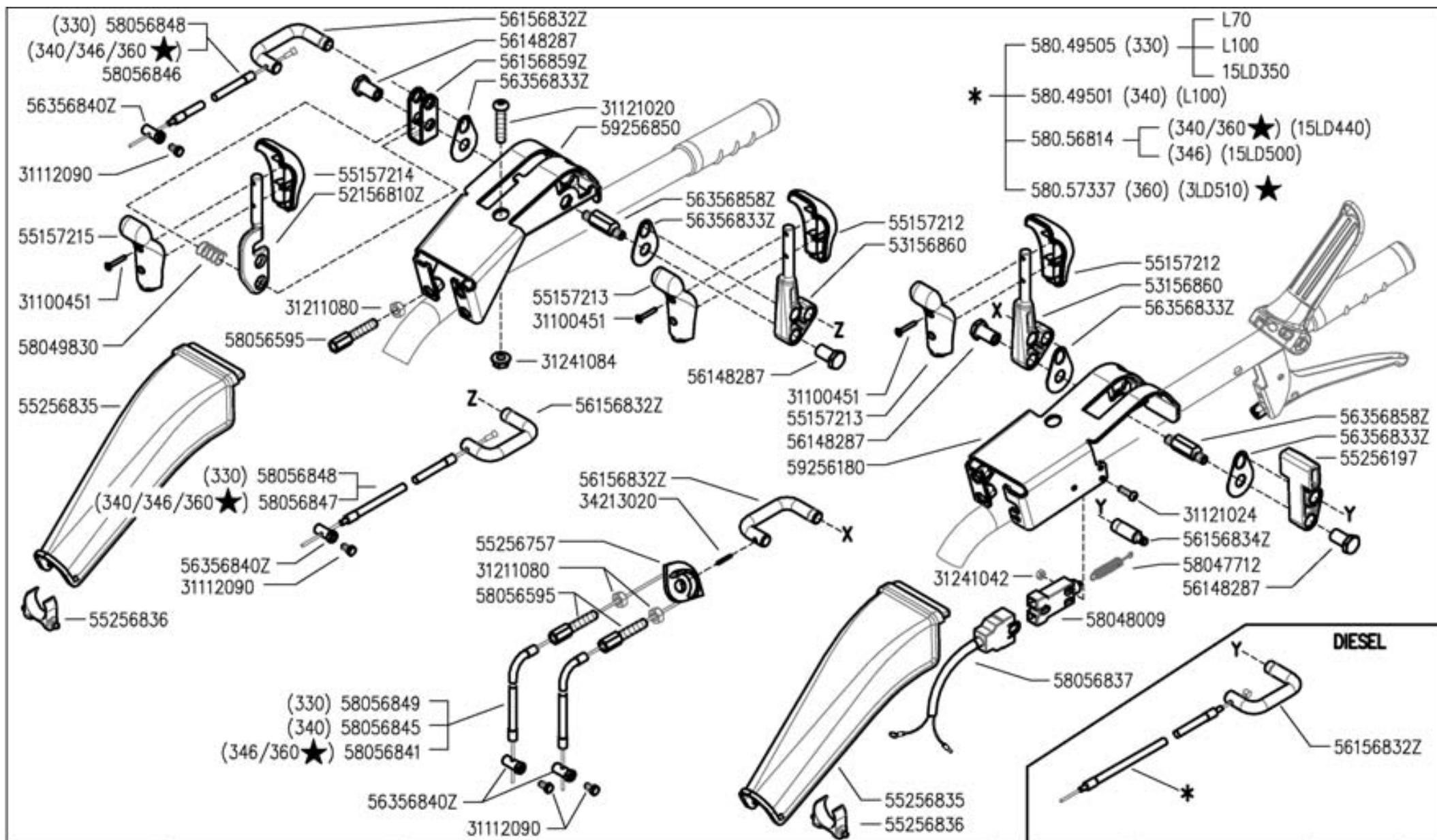
---

SERIAL

**HANDLEBAR CONTROLS**

CODE REV

**L03\_0\_67358**



300 serie PS  
PowerSafe®

HANDLEBAR CONTROLS  
CONTROLES EN EL MANILLAR

COMANDI SUL MANUBRIO  
(330-340-346-360) ★

CONTROLES SUR LE MANCHERON  
KONTROLLEN AM LINCHER

DALLA MACCHINA  
DE LA MAQUINA  
DE LA MACHINA  
FROM THE MACHINE  
AB DER MASCHINE

★ N.

AGGIORNAMENTO  
APLAZAMIENTO  
MISE A JOUR  
REVISION  
ANPASSUNG

L03 1

11/2010

Rev.

Pos.	Code	Q.ty	Description	Notes
31100451	31100451	1	SCREW 3,5X25	
31112090	31112090	1	SCREW TE M6X16 UNI 5739 8G	
31121020	31121020	1	SCREW TBCEI M8X40 ISO7380 10K Z	
31121024	31121024	1	SCREW TBCEI FL.M4X25	
31211080	31211080	1	NUT M8	
31241042	31241042	1	SELFLOCK NUT M4 FL.6S	
31241084	31241084	1	SELFLOCK NUT M8 6S	
34213020	34213020	1	ROLL PIN	
53156860	53156860	1	COMMAND LEVER	
55157212	55157212	1	GRIP	
55157213	55157213	1	GRIP	
55157214	55157214	1	GRIP	
55157215	55157215	1	GRIP	
55256197	55256197	1	LEVER	
55256757	55256757	1	PULLEY	
55256835	55256835	1	PROTECTION COVER	
55256836	55256836	1	CROSS MEMBER	
56148287	56148287	1	STUD BOLT	
58047712	58047712	1	SPRING	
58048009	58048009	1	SWITCH	
58049501	58049501	1	LINE AND SHEATH	
58049505	58049505	1	LINE AND SHEATH	
58049830	58049830	1	SPRING	
58056595	58056595	1	ADJUSTING SCREW	
58056814	58056814	1	LINE AND SHEATH	
58056837	58056837	1	WIRING	
58056841	58056841	1	LINE AND SHEATH	
58056845	58056845	1	LINE AND SHEATH	
58056846	58056846	1	LINE AND SHEATH	
58056847	58056847	1	LINE AND SHEATH	
58056848	58056848	1	LINE AND SHEATH	
58056849	58056849	1	LINE AND SHEATH	
58057337	58057337	1	LINE AND SHEATH	
59256180	59256180	1	SUPPORT	

SERIAL

## HANDLEBAR CONTROLS

CODE REV

L03\_1\_77607



<b>Pos.</b>	<b>Code</b>	<b>Q.ty</b>	<b>Description</b>	<b>Notes</b>
59256850	59256850	1	SUPPORT	
52156810	52156810Z	1	COMMAND LEVER	
56156832	56156832Z	1	U BOLT	
56156834	56156834Z	1	INDEXING BOLT	
56156859	56156859Z	1	FORK	
56356833	56356833Z	1	SMALL PLATE	
56356840	56356840Z	1	CLAMPING SCREW	
56356858	56356858Z	1	PIN	

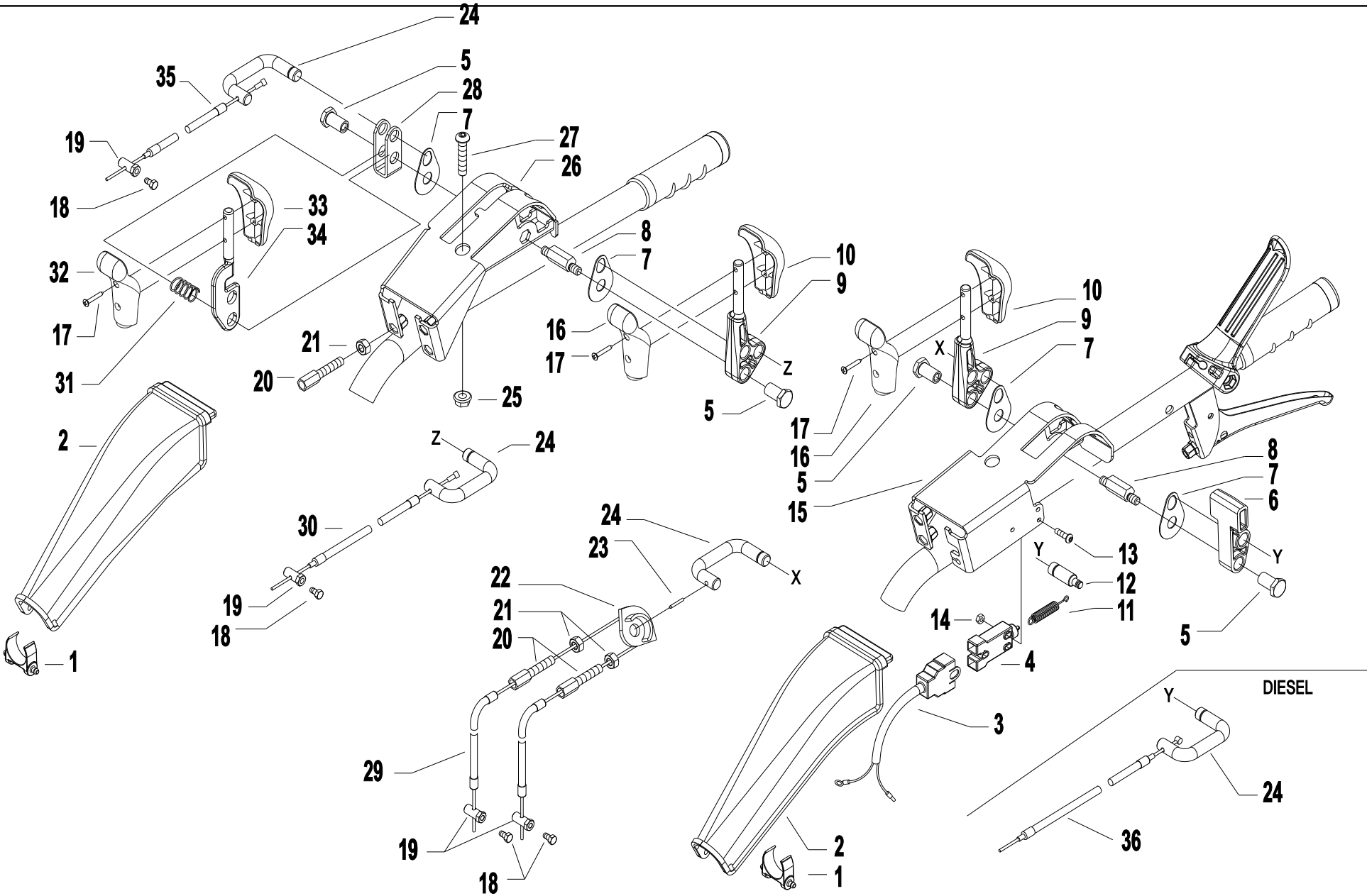
---

SERIAL

**HANDLEBAR CONTROLS**

CODE REV

**L03\_1\_77607**



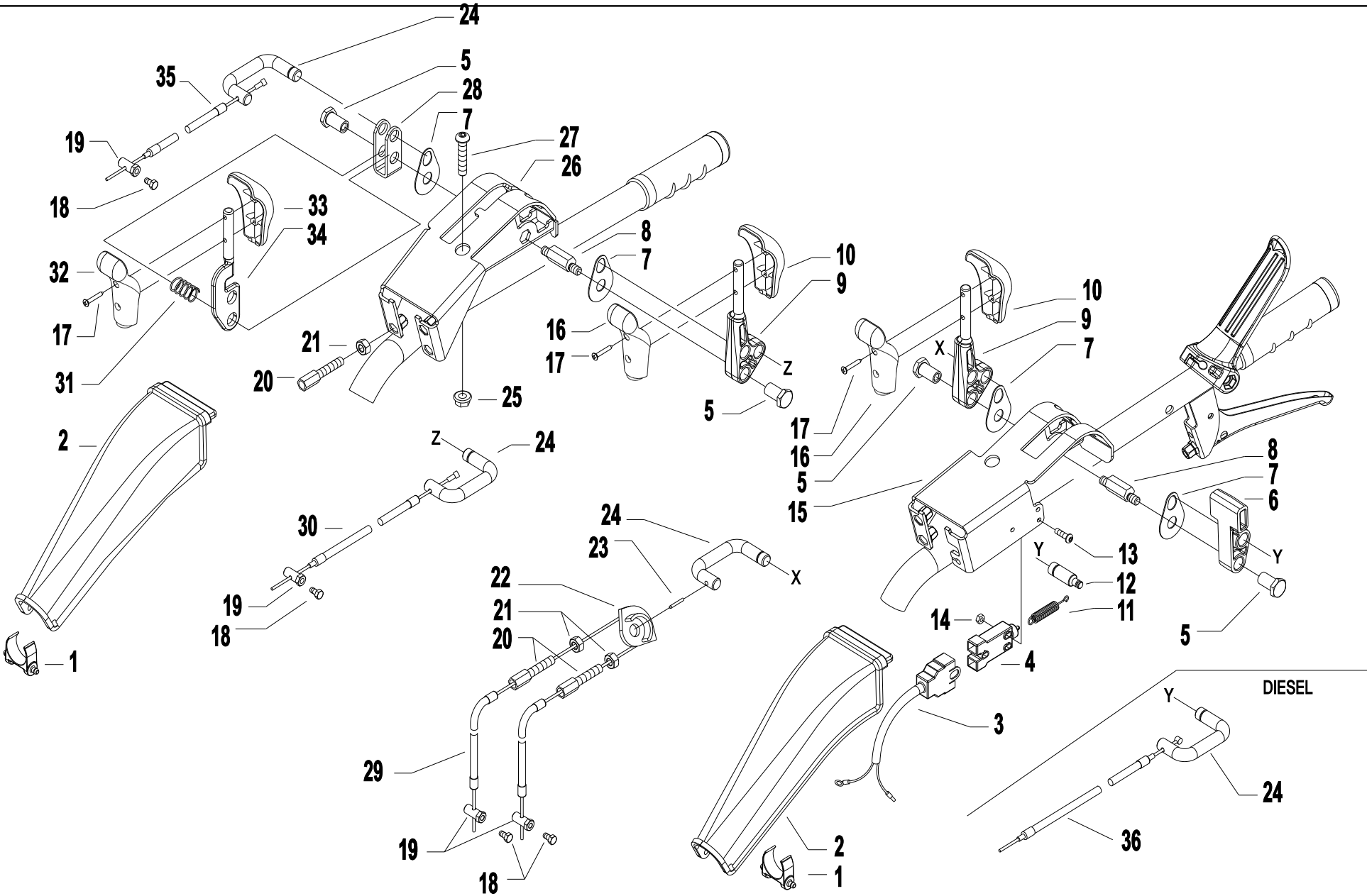
Pos.	Code	Q.ty	Description	Notes
1	55256836	1	CROSS MEMBER	
2	55256835	1	PROTECTION COVER	
3	58056837	1	WIRING	
4	58048009	1	SWITCH	
5	56148287	1	STUD BOLT	
6	55256197	1	LEVER	
7	56356833Z	1	SMALL PLATE	
8	56356858Z	1	PIN	
9	53156860	1	COMMAND LEVER	
10	55157212	1	GRIP	
11	58047712	1	SPRING	
12	56156834Z	1	INDEXING BOLT	
13	31121024	1	SCREW TBCEI FL.M4X25	
14	31241042	1	SELFLOCK NUT M4 FL.6S	
15	59256180	1	SUPPORT	
16	55157213	1	GRIP	
17	31100451	1	SCREW 3,5X25	
18	31112090	1	SCREW TE M6X16 UNI 5739 8G	
19	56356840Z	1	CLAMPING SCREW	
20	58056595	1	ADJUSTING SCREW	
21	31211080	1	NUT M8	
22	55256757	1	PULLEY	
23	34213020	1	ROLL PIN	
24	56156832Z	1	U BOLT	
25	31241084	1	SELFLOCK NUT M8 6S	
26	59256850	1	SUPPORT	
27	31121020	1	SCREW TBCEI M8X40 ISO7380 10K Z	
28	56156859Z	1	FORK	
29	58056841	1	LINE AND SHEATH	For models 346/360 PS Series
29	58056845	1	LINE AND SHEATH	For the 340 model series PS
29	58056849	1	LINE AND SHEATH	For models 330/338 PS Series
30	58056847	1	LINE AND SHEATH	For models 340/346/360 PS Series
30	58056848	1	LINE AND SHEATH	For models 330/338 PS Series
31	58049830	1	SPRING	

SERIAL

**HANDLEBAR CONTROLS**

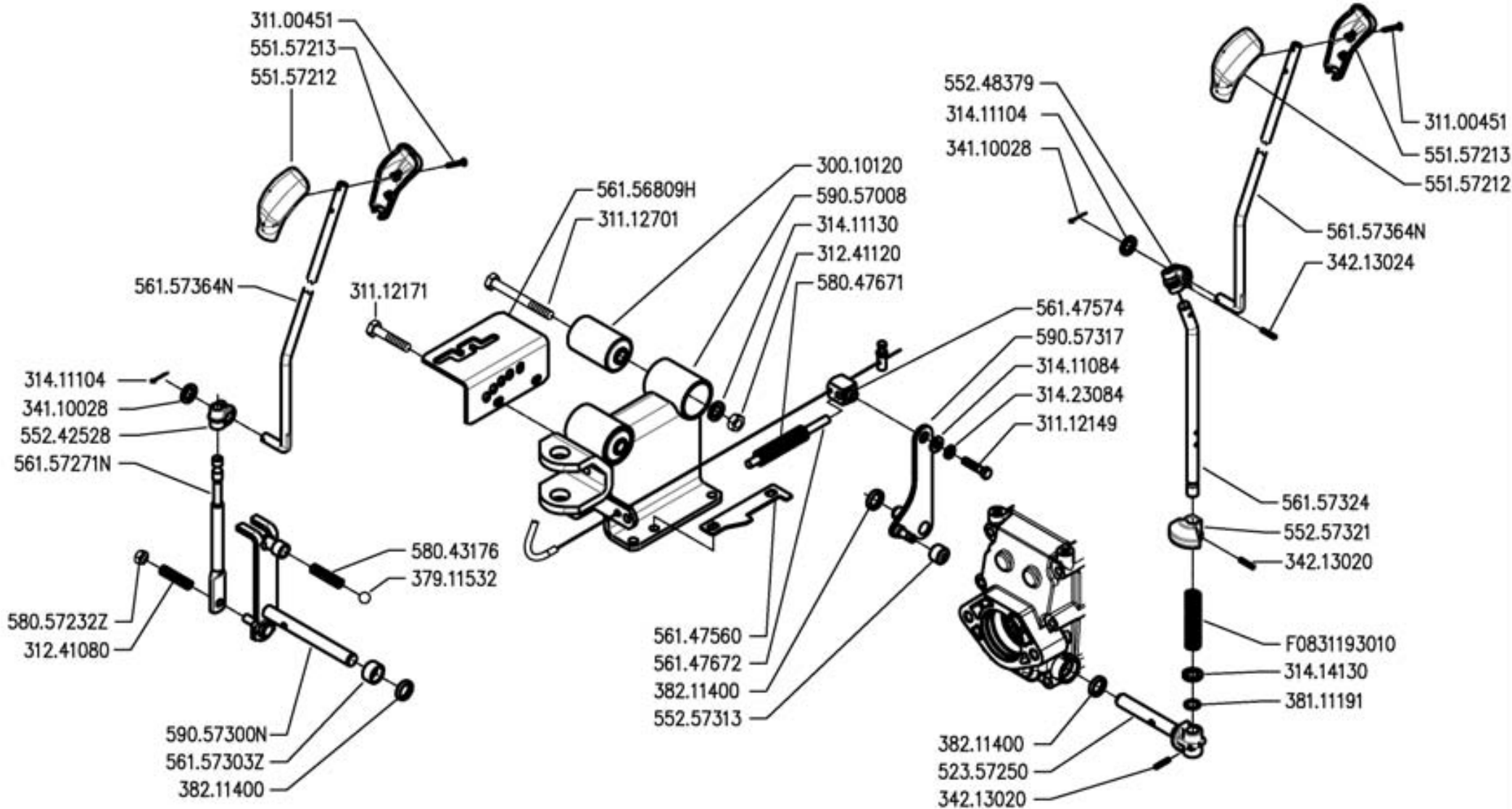
CODE REV

**L.03.01.A0003\_02**





Pos.	Code	Q.ty	Description	Notes
32	55157215	1	GRIP	
33	55157214	1	GRIP	
34	52156810Z	1	COMMAND LEVER	
35	58056846	1	LINE AND SHEATH	For models 340/346/360 PS Series
35	58056848	1	LINE AND SHEATH	For models 330/338 PS Series
36	58057337	1	LINE AND SHEATH	For Model 360 series PS engine 3LD510
36	58056814	1	LINE AND SHEATH	For models 340/360 series PS engine 15LD440. For model
36	58049501	1	LINE AND SHEATH	For model series 340 PS engine with L100
36	58049505	1	LINE AND SHEATH	For models 330/338 series engines with PS L70/L100/15LD350



300 serie PS  
PowerSafe®

CONTROLS  
MANDOS

COMANDI  
(340-346)

COMMANDES  
ANTRIEBE

DALLA MACCHINA  
DE LA MAQUINA  
DE LA MAQUINA  
FROM THE MACHINE  
AB DER MASCHINE

N.

M03 0

05/2009

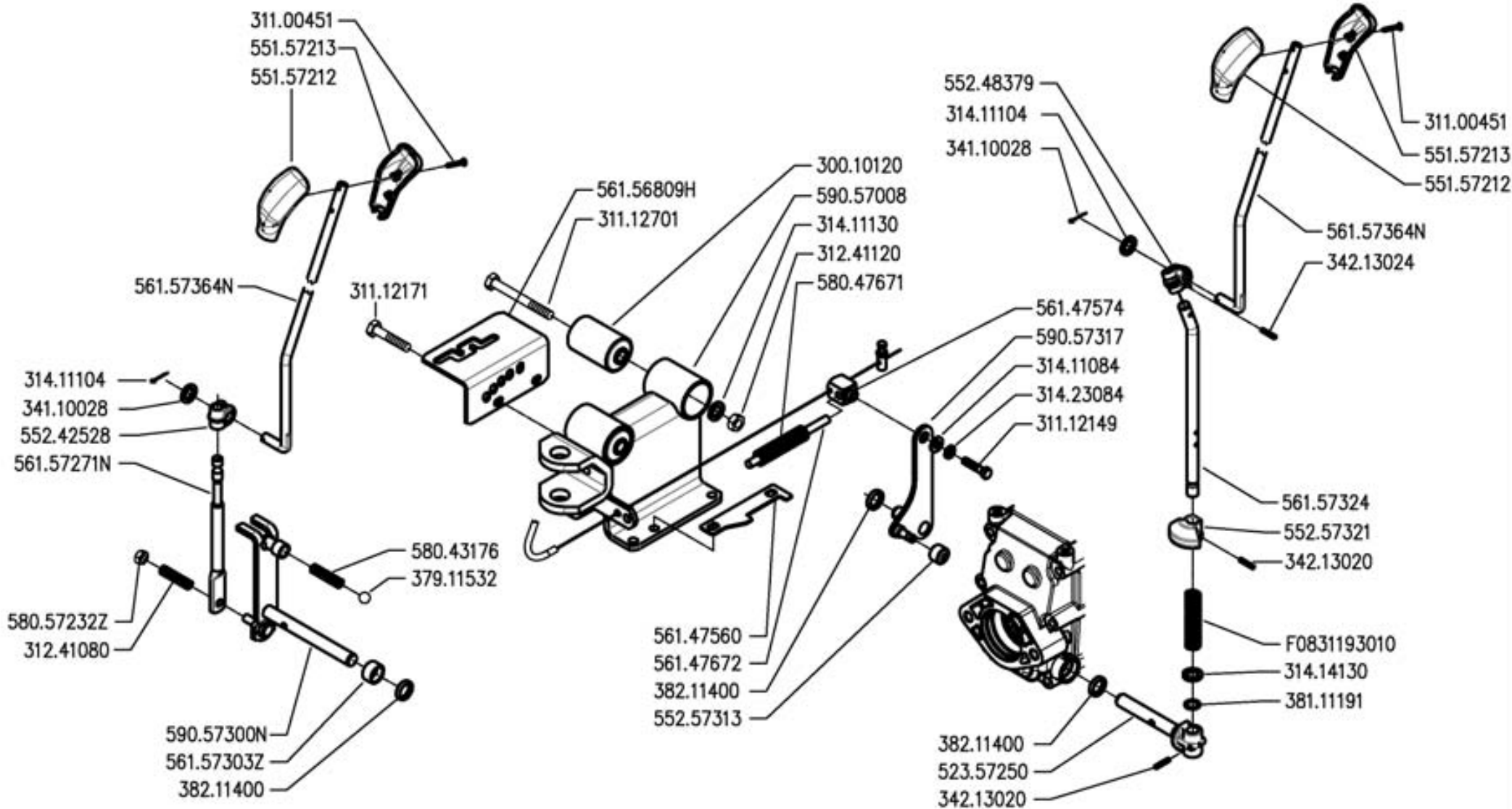
Pos.	Code	Q.ty	Description	Notes
30010120	30010120	1	SILENT-BLOCK 12X40X58X66	
31100451	31100451	1	SCREW 3,5X25	
31112149	31112149	1	SCREW TE M8X12 UNI 5739 8G	
31112171	31112171	1	SCREW TE C/F M8X16 DIN 6921	
31112701	31112701	1	SCREW TE M12X100 UNI 5737	
31241080	31241080	1	SELFLOCK NUT M8	
31241120	31241120	1	SELFLOCK NUT M12	
31411084	31411084	1	WASHER 8,4x17	
31411104	31411104	1	WASHER 10,5x18	
31411130	31411130	1	WASHER 13x24	
31414130	31414130	1	WASHER 13	
31423084	31423084	1	SPRING WASHER 8,4	
34110028	34110028	1	SPLIT PIN	
34213020	34213020	1	ROLL PIN	
34213024	34213024	1	ROLL PIN	
37911532	37911532	1	BALL 15/32	
38111191	38111191	1	O-RING 115 (11,91X2,62)	
38211400	38211400	1	OIL SEAL 14X22X4	
52357250	52357250	1	PIN	
55157212	55157212	1	GRIP	
55157213	55157213	1	GRIP	
55242528	55242528	1	JOINT	
55248379	55248379	1	JOINT	
55257313	55257313	1	ROLLER	
55257321	55257321	1	STOP	
56147560	56147560	1	STOP	
56147574	56147574	1	SMALL BLOCK	
56147672	56147672	1	GUIDE PIN	
56157324	56157324	1	PTO LEVER	
58043176	58043176	1	SPRING	
58047671	58047671	1	SPRING	
59057008	59057008	1	SUPPORT	
59057317	59057317	1	LEVER	
56156809	56156809H	1	GEAR SELECTOR	

SERIAL

**CONTROLS**

CODE REV

**M03\_0\_67475**



300 serie PS  
PowerSafe®

CONTROLS  
MANDOS

COMANDI  
(340-346)

COMMANDES  
ANTRIEBE

DALLA MACCHINA  
DE LA MAQUINA  
DE LA MAQUINA  
FROM THE MACHINE  
AB DER MASCHINE

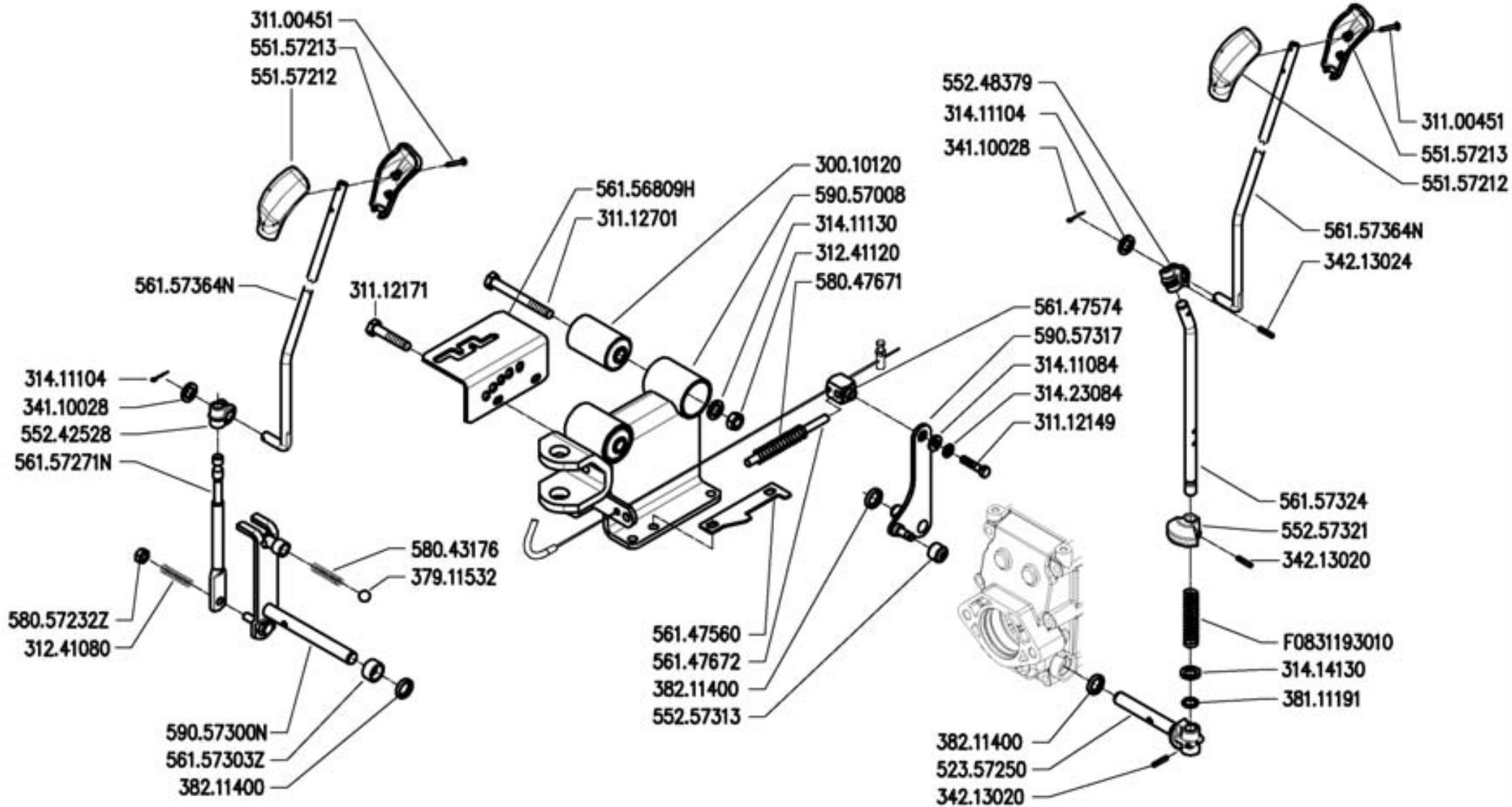
N.

M03 0

05/2009

Rev.

<b>Pos.</b>	<b>Code</b>	<b>Q.ty</b>	<b>Description</b>	<b>Notes</b>
56157271	56157271N	1	COMMAND LEVER	
56157303	56157303Z	1	SPACER	
56157364	56157364N	1	PULL ROD	
58057232	58057232Z	1	SPRING	
59057300	59057300N	1	GEAR LEVER	
F0831193	F0831193010	1	SPRING DM.15X70	



**FERRARI**

300 serie PS  
PowerSafe®

CONTROLS  
MANDOS

COMANDI  
(340-346-360★)

COMMANDES  
ANTRIEBE

DALLA MACCHINA  
DE LA MAQUINA  
DE LA MAQUINA  
FROM THE MACHINE  
AB DER MASCHINE

★ N.

AGGIORNAMENTO  
APLAZAMIENTO  
MISE A JOUR  
REVISION  
ANPASSUNG

M03 1

11/2010

Rev.

DATE: BCS - Scala 1:6

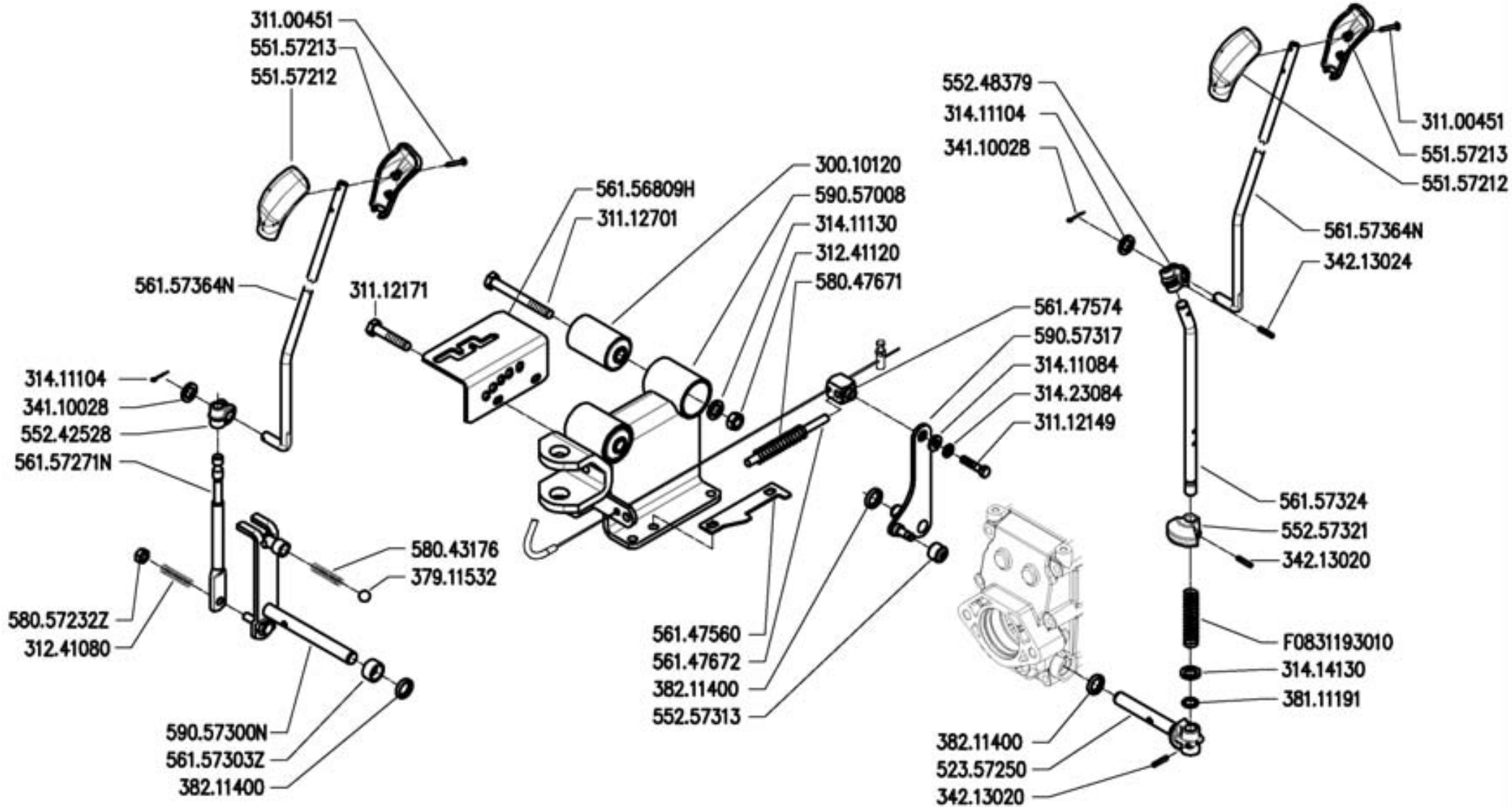
Pos.	Code	Q.ty	Description	Notes
30010120	30010120	1	SILENT-BLOCK 12X40X58X66	
31100451	31100451	1	SCREW 3,5X25	
31112149	31112149	1	SCREW TE M8X12 UNI 5739 8G	
31112171	31112171	1	SCREW TE C/F M8X16 DIN 6921	
31112701	31112701	1	SCREW TE M12X100 UNI 5737	
31241080	31241080	1	SELFLOCK NUT M8	
31241120	31241120	1	SELFLOCK NUT M12	
31411084	31411084	1	WASHER 8,4x17	
31411104	31411104	1	WASHER 10,5x18	
31411130	31411130	1	WASHER 13x24	
31414130	31414130	1	WASHER 13	
31423084	31423084	1	SPRING WASHER 8,4	
34110028	34110028	1	SPLIT PIN	
34213020	34213020	1	ROLL PIN	
34213024	34213024	1	ROLL PIN	
37911532	37911532	1	BALL 15/32	
38111191	38111191	1	O-RING 115 (11,91X2,62)	
38211400	38211400	1	OIL SEAL 14X22X4	
52357250	52357250	1	PIN	
55157212	55157212	1	GRIP	
55157213	55157213	1	GRIP	
55242528	55242528	1	JOINT	
55248379	55248379	1	JOINT	
55257313	55257313	1	ROLLER	
55257321	55257321	1	STOP	
56147560	56147560	1	STOP	
56147574	56147574	1	SMALL BLOCK	
56147672	56147672	1	GUIDE PIN	
56157324	56157324	1	PTO LEVER	
58043176	58043176	1	SPRING	
58047671	58047671	1	SPRING	
59057008	59057008	1	SUPPORT	
59057317	59057317	1	LEVER	
56156809	56156809H	1	GEAR SELECTOR	

SERIAL

**CONTROLS ( 340\_346\_360 )**

CODE REV

**M03\_1\_77650**



FERRARI

300 serie PS  
PowerSafe®

CONTROLS  
MANDOS

COMANDI  
(340-346-360★)

COMMANDES  
ANTRIEBE

DALLA MACCHINA  
DE LA MAQUINA  
DE LA MAQUINA  
FROM THE MACHINE  
AB DER MASCHINE

★ N.

AGGIORNAMENTO  
APLAZAMIENTO  
MISE A JOUR  
REVISION  
ANPASSUNG

M03 1

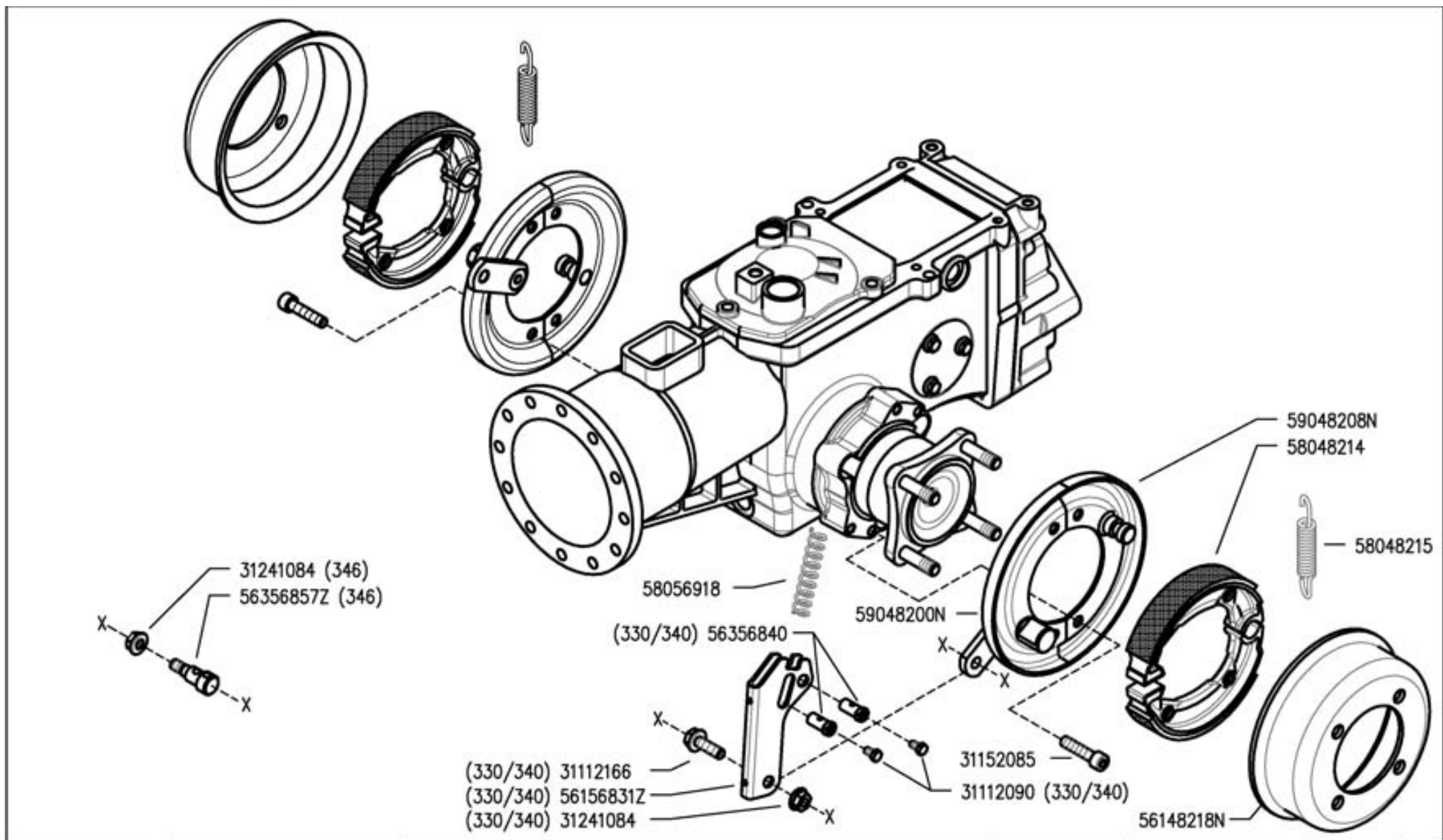
11/2010

Rev.

DATE: BCS - Scala 1:6



Pos.	Code	Q.ty	Description	Notes
56157271	56157271N	1	COMMAND LEVER	
56157303	56157303Z	1	SPACER	
56157364	56157364N	1	PULL ROD	
58057232	58057232Z	1	SPRING	
59057300	59057300N	1	GEAR LEVER	
F0831193	F0831193010	1	SPRING DM.15X70	



300 serie PS  
PowerSafe®

BRAKES  
FRENOS

FRENI  
(330-340-346)

FREINS  
BREMSEN

DALLA MACCHINA  
DE LA MAQUINA  
DE LA MAQUINA  
FROM THE MACHINE  
AB DER MASCHINE

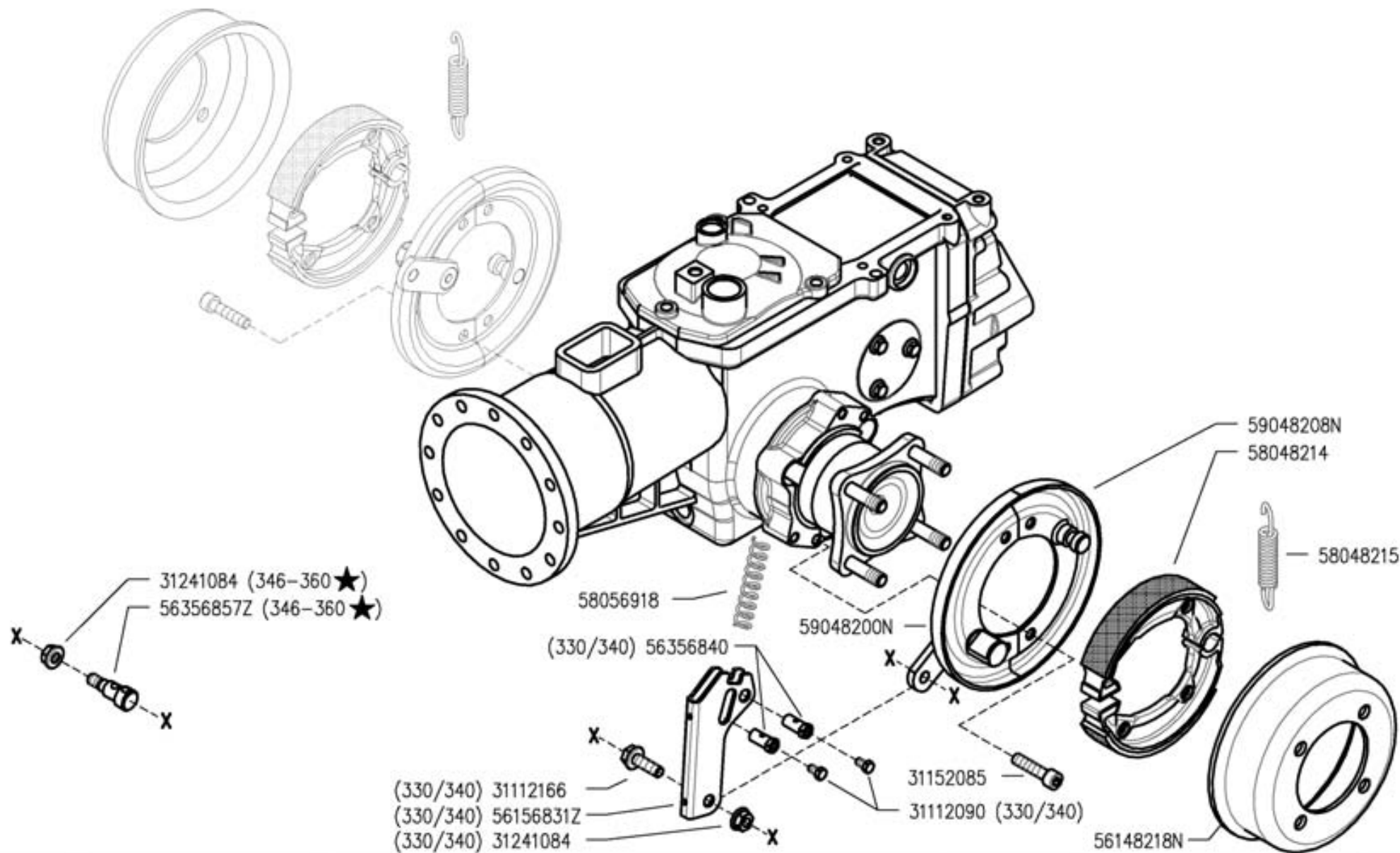
N.


Rev. 0

N02

05/2009

Pos.	Code	Q.ty	Description	Notes
31112090	31112090	1	SCREW TE M6X16 UNI 5739 8G	
31112166	31112166	1	SCREW TE C/F M8X25 DIN 6921 8G	
31152085	31152085	1	SCREW TCEI M8X25 UNI 5931	
31241084	31241084	1	SELFLOCK NUT M8 6S	
56356840	56356840	1	CLAMPING SCREW	
58048214	58048214	1	BRAKE BLOCK	
58048215	58048215	1	SPRING	
58056918	58056918	1	SPRING	
56148218	56148218N	1	BRAKE DRUM	
56156831	56156831Z	1	FORK	
56356857	56356857Z	1	STOP	
59048200	59048200N	1	HALF DISC	
59048208	59048208N	1	HALF DISC	



**FERRARI**

300 serie PS  
PowerSafe®

BRAKES  
FRENOS

FRENI  
(330-340-346-360 ★)

FREINS  
BREMSEN

DALLA MACCHINA  
DE LA MACCHINA  
DE LA MACCHINA  
FROM THE MACHINE  
AB DER MASCHINE

★ N.

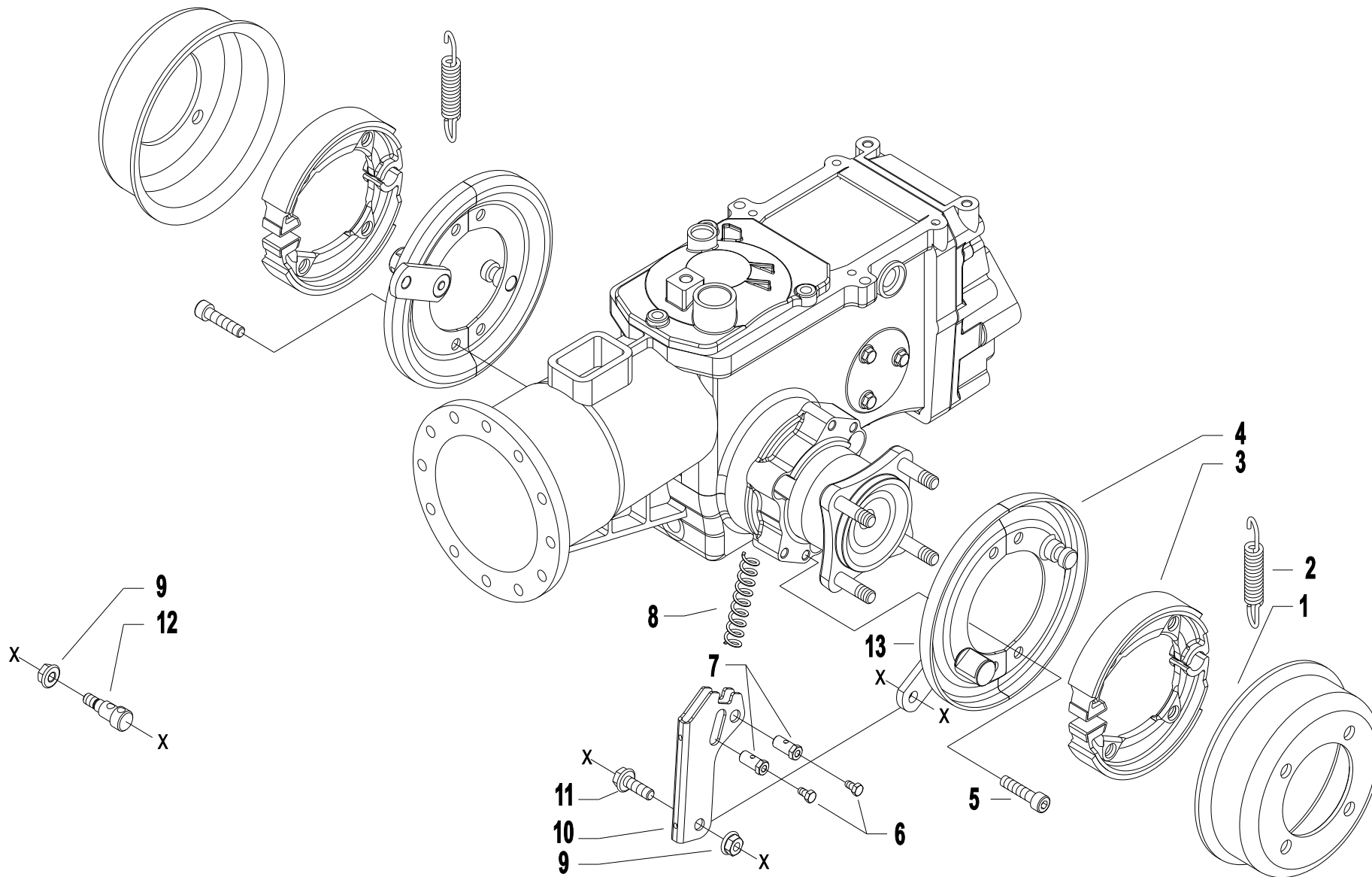
AGGIORNAMENTO  
APLAZAMIENTO  
MISE A JOUR  
REVISION  
ANPASSUNG

N02 1

11/2010

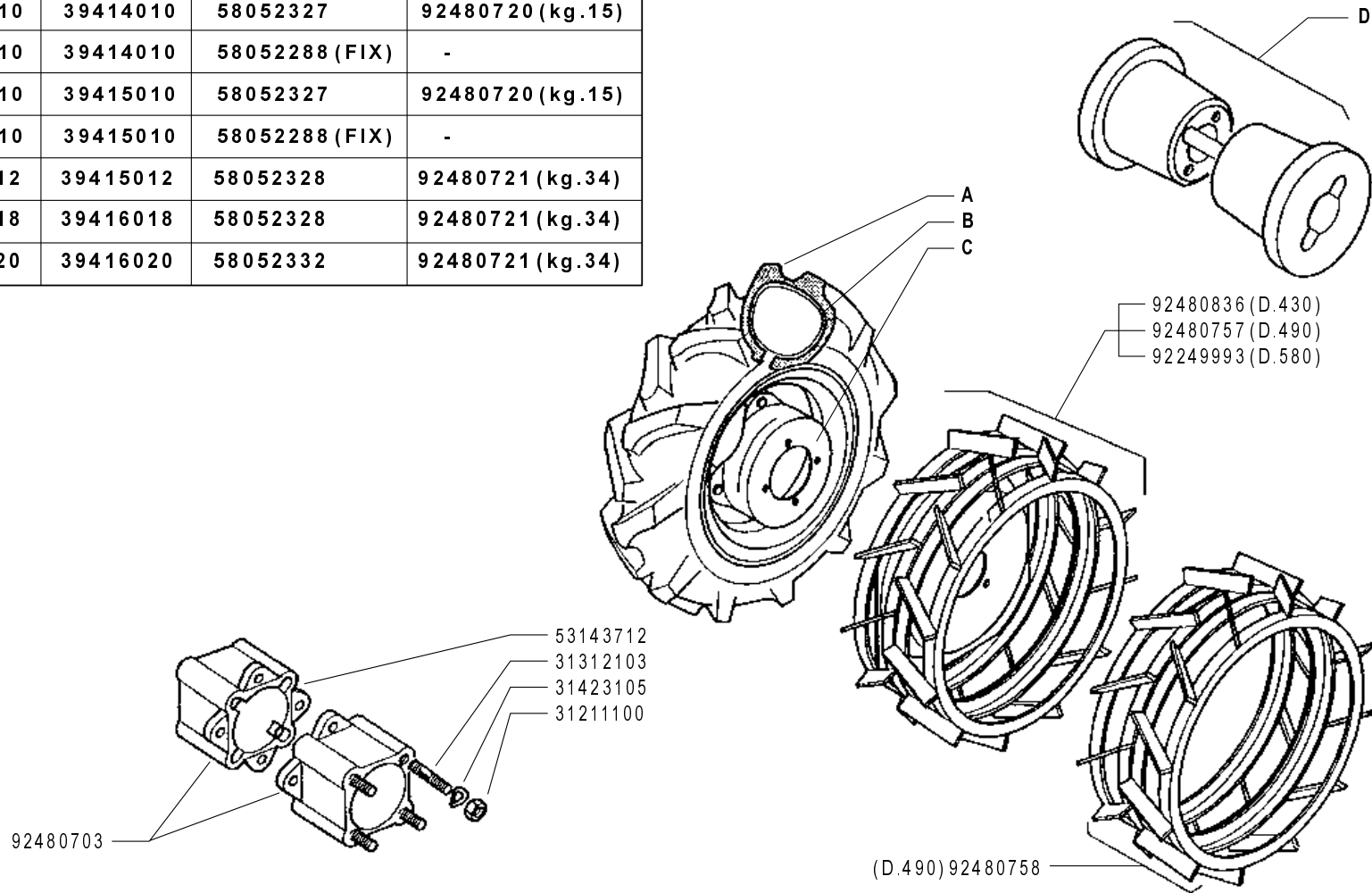
Rev.

Pos.	Code	Q.ty	Description	Notes
31112090	31112090	1	SCREW TE M6X16 UNI 5739 8G	
31112166	31112166	1	SCREW TE C/F M8X25 DIN 6921 8G	
31152085	31152085	1	SCREW TCEI M8X25 UNI 5931	
31241084	31241084	1	SELFLOCK NUT M8 6S	
56356840	56356840	1	CLAMPING SCREW	
58048214	58048214	1	BRAKE BLOCK	
58048215	58048215	1	SPRING	
58056918	58056918	1	SPRING	
56148218	56148218N	1	BRAKE DRUM	
56156831	56156831Z	1	FORK	
56356857	56356857Z	1	STOP	
59048200	59048200N	1	HALF DISC	
59048208	59048208N	1	HALF DISC	



Pos.	Code	Q.ty	Description	Notes
1	56148218N	1	BRAKE DRUM	
2	58048215	1	SPRING	
3	58048214	1	BRAKE BLOCK	
4	59048208N	1	HALF DISC	
5	31152085	1	SCREW TCEI M8X25 UNI 5931	
6	31112090	1	SCREW TE M6X16 UNI 5739 8G	Used in the models 330/338/340 PS Series
7	56356840	1	CLAMPING SCREW	Used in the models 330/338/340 PS Series
8	58056918	1	SPRING	
9	31241084	1	SELFLOCK NUT M8 6S	
10	56156831Z	1	FORK	Used in the models 330/338/340 PS Series
11	31112166	1	SCREW TE C/F M8X25 DIN 6921 8G	Utilisées dans les modèles 330/338/340 PS Series
12	56356857Z	1	STOP	Used in the models 346/360 PS Series
13	59048200N	1	HALF DISC	

	A	B	C	D
4.00 - 8"	39114008	39414008	58052326	92480719 (kg.11)
4.0 - 10"	39114010	39414010	58052327	92480720 (kg.15)
4.0 - 10"	39114010	39414010	58052288 (FIX)	-
5.0 - 10"	39115010	39415010	58052327	92480720 (kg.15)
5.0 - 10"	39115010	39415010	58052288 (FIX)	-
5.00 - 12"	39115012	39415012	58052328	92480721 (kg.34)
6.5/80 - 12"	39116018	39416018	58052328	92480721 (kg.34)
6.5/80 - 15"	39116020	39416020	58052332	92480721 (kg.34)



**FERRARI**

**300** serie **PS**  
PowerSafe®

WHEELS  
RUEDAS

RUOTE

ROUES  
RÄDER

DALLA MACCHINA  
FROM THE MACHINE  
DE LA MACHINE  
DE LA MAQUINA  
AB DER MASCHINE

N.

**P01** 0

05/2009

Rev.

ZENNE



Pos.	Code	Q.ty	Description	Notes
31211100	31211100	1	NUT M10	
31312103	31312103	1	STUD BOLT M10X46X24X16	
31423105	31423105	1	SPRING WASHER 10,5	
39114008	39114008	1	TYRE 4.00-8 2PR	
39114010	39114010	1	TYRE 4.0-10 2PR	
39115010	39115010	1	TYRE 5.00-10 2PR	
39115012	39115012	1	TYRE 5.00-12 2PR	
39116018	39116018	1	TYRE 6.5/80-12 2PR	
39116020	39116020	1	TYRE 6.5/80-15 4PR	
39414008	39414008	1	INNER TUBE	
39414010	39414010	1	INNER TUBE	
39415010	39415010	1	INNER TUBE	
39415012	39415012	1	INNER TUBE	
39416018	39416018	1	INNER TUBE	
39416020	39416020	1	INNER TUBE	
53143712	53143712	1	SPACER	
58052288	58052288	1	RIM	
58052326	58052326	1	RIM	
58052327	58052327	1	RIM	
58052328	58052328	1	RIM	
58052332	58052332	1	CERCHIO 5J15 CR GIALLO RAL1003	
92249993	92249993	1	STEEL CAGE WHEELS D. 58 (PAIR)	
92480703	92480703	1	SPACER CM. 6 FOR WHEELS (PAIR)(0901012301)	
92480719	92480719	1	WEIGHTS KG. 11 FOR WHEELS 4.00-8 FOR 305/306 (PAIR)	
92480720	92480720	1	WEIGHTS KG. 15 FOR WHEELS 4.0-10 AND 5.0-10 FOR 305/306/307 (PAIR)	
92480721	92480721	1	WEIGHTS KG. 34 FOR WHEELS 5.00-12 / 6.5/80-12 (PAIR) (0901012307)	
92480757	92480757	1	CAGE WHEELS DIAM. CM. 49 FOR 306/30 (PAIR) (0901012315)	
92480758	92480758	1	ADAPTER RINGS FOR MOUNTING STEEL CAGE WHEELS CM. 49 (PAIR)	
92480836	92480836	1	STEEL CAGE WHEELS DIAM. 43 CM.	

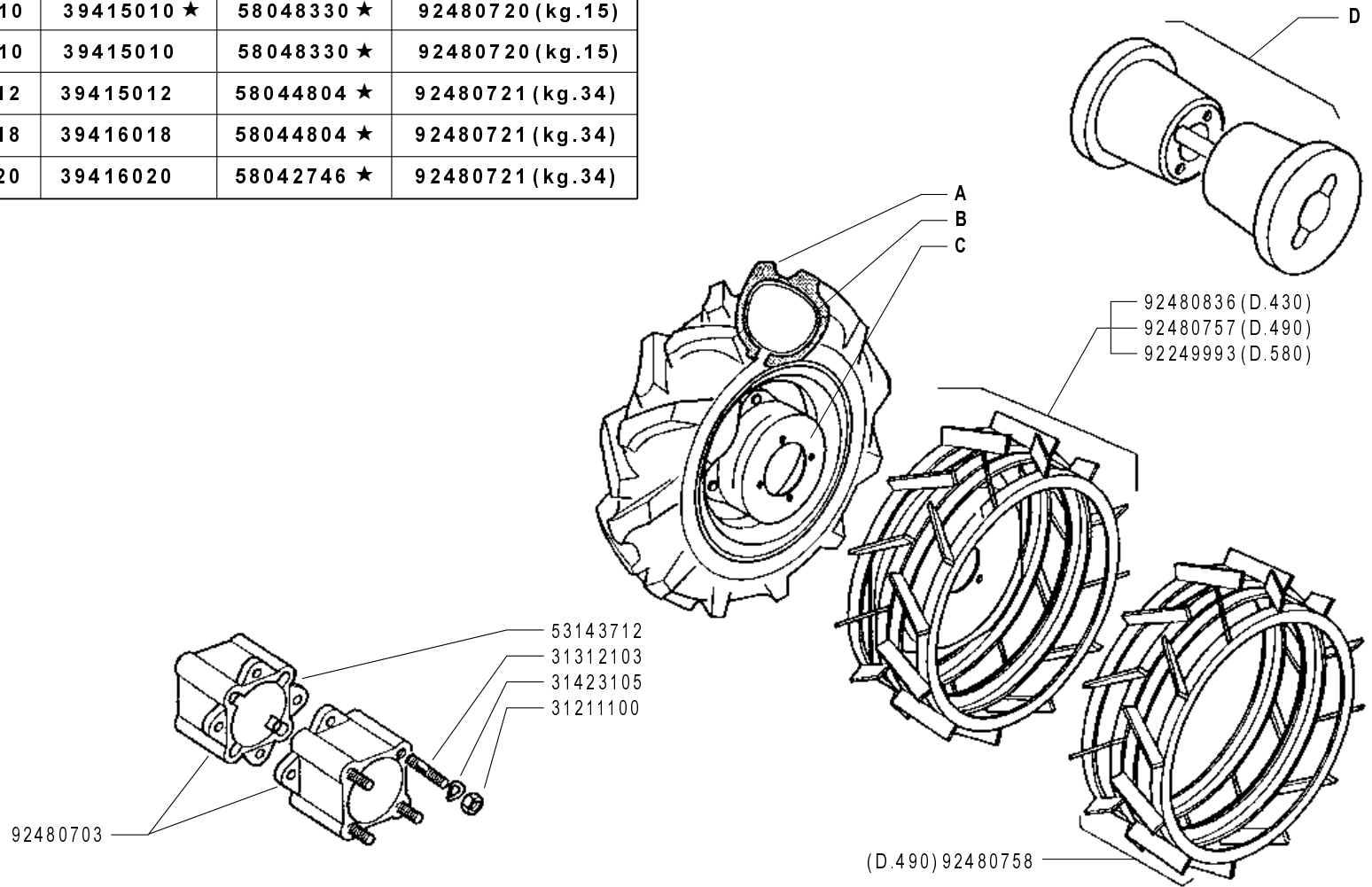
SERIAL

## WHEELS

CODE REV

P01\_0\_67539

	A	B	C	D
4.00 - 8"	39114008	39414008	58043250 ★	92480719 (kg.11)
4.0 - 10"	39114010	39415010 ★	58048330 ★	92480720 (kg.15)
5.0 - 10"	39115010	39415010	58048330 ★	92480720 (kg.15)
5.00 - 12"	39115012	39415012	58044804 ★	92480721 (kg.34)
6.5/80 - 12"	39116018	39416018	58044804 ★	92480721 (kg.34)
6.5/80 - 15"	39116020	39416020	58042746 ★	92480721 (kg.34)



**FERRARI**

**300** serie **PS**  
PowerSafe®

WHEELS  
RUEDAS

RUOTE

ROUES  
RÄDER

DALLA MACCHINA  
FROM THE MACHINE  
DE LA MACHINE  
DE LA MAQUINA  
AB DER MASCHINE

★ N.

AGGIORNAMENTO
REVISION
MISE A JOUR
APLAZAMIENTO
ANPASSUNG

**P01** 1

11/2010

Rev.

ZENNE

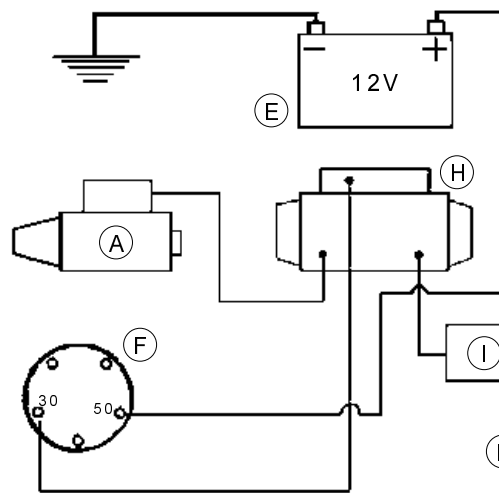
Pos.	Code	Q.ty	Description	Notes
31211100	31211100	1	NUT M10	
31312103	31312103	1	STUD BOLT M10X46X24X16	
31423105	31423105	1	SPRING WASHER 10,5	
39114008	39114008	1	TYRE 4.00-8 2PR	
39114010	39114010	1	TYRE 4.0-10 2PR	
39115010	39115010	1	TYRE 5.00-10 2PR	
39115012	39115012	1	TYRE 5.00-12 2PR	
39116018	39116018	1	TYRE 6.5/80-12 2PR	
39116020	39116020	1	TYRE 6.5/80-15 4PR	
39414008	39414008	1	INNER TUBE	
39414010	39414010	1	INNER TUBE	
39415010	39415010	1	INNER TUBE	
39415012	39415012	1	INNER TUBE	
39416018	39416018	1	INNER TUBE	
39416020	39416020	1	INNER TUBE	
53143712	53143712	1	SPACER	
58042746	58042746	1	RIM	
58043250	58043250	1	RIM	
58044804	58044804	1	RIM	
58048330	58048330	1	RIM	
58052332	58052332	1	CERCHIO 5J15 CR GIALLO RAL1003	
92249993	92249993	1	STEEL CAGE WHEELS D. 58 (PAIR)	
92480703	92480703	1	SPACER CM. 6 FOR WHEELS (PAIR)(0901012301)	
92480719	92480719	1	WEIGHTS KG. 11 FOR WHEELS 4.00-8 FOR 305/306 (PAIR)	
92480720	92480720	1	WEIGHTS KG. 15 FOR WHEELS 4.0-10 AND 5.0-10 FOR 305/306/307 (PAIR)	
92480721	92480721	1	WEIGHTS KG. 34 FOR WHEELS 5.00-12 / 6.5/80-12 (PAIR) (0901012307)	
92480757	92480757	1	CAGE WHEELS DIAM. CM. 49 FOR 306/30 (PAIR) (0901012315)	
92480758	92480758	1	ADAPTER RINGS FOR MOUNTING STEEL CAGE WHEELS CM. 49 (PAIR)	
92480836	92480836	1	STEEL CAGE WHEELS DIAM. 43 CM.	

SERIAL

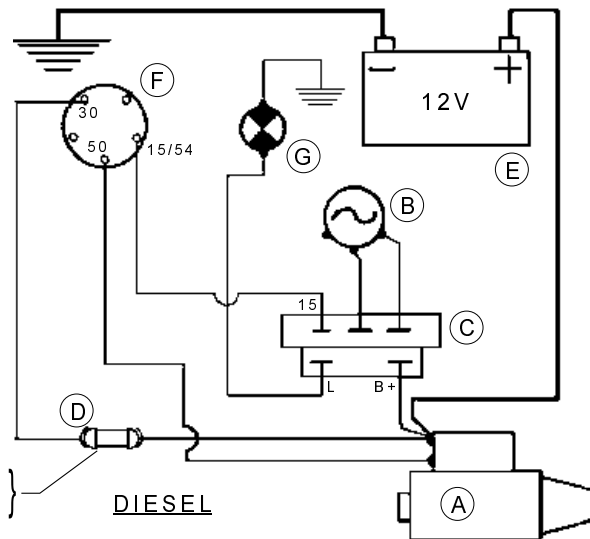
## WHEELS

CODE REV

P01\_1\_81340

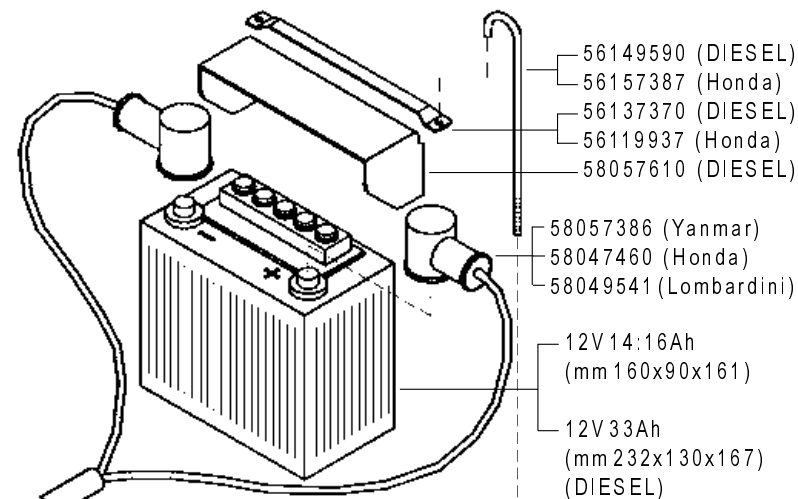


HONDA



(Yanmar) 15A  
(Lombardini) 25A

DIESEL



56149590 (DIESEL)  
56157387 (Honda)  
56137370 (DIESEL)  
56119937 (Honda)  
58057610 (DIESEL)

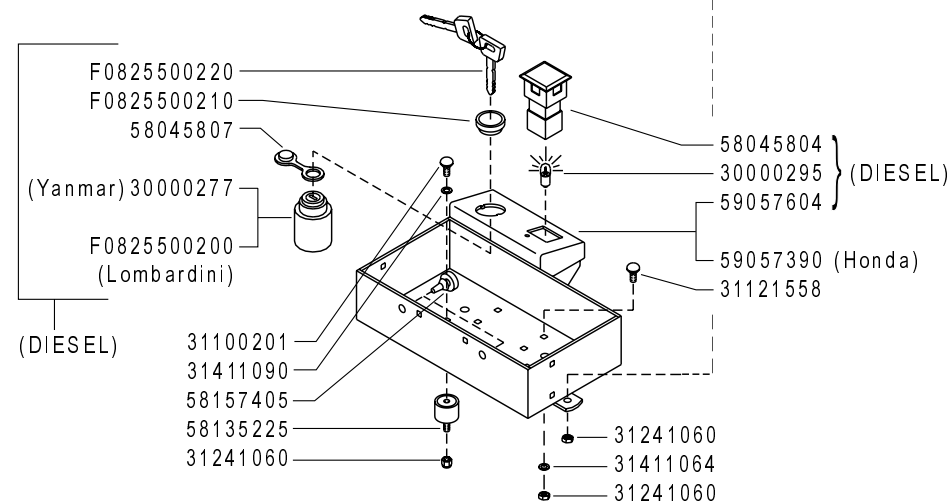
58057386 (Yanmar)  
58047460 (Honda)  
58049541 (Lombardini)

12V 14:16Ah  
(mm 160x90x161)

12V 33Ah  
(mm 232x130x167)  
(DIESEL)

A	B	C	D
MOTORINO D'AVVIAMENTO STARTER DÉMARREUR MOT. DE ARRANQUE ANLASSMOTOR	GENERATORE GENERATOR GÉNÉRATEUR GENERADOR GENERATOR	REGOLATORE REGULATOR RÉGULATEUR REGULADOR REGLER	FUSIBILI FUSES FUSIBLES FUSIBLES SCHMELZSICHERUNGEN

E	F	G	H	I
BATTERIA BATTERY BATTERIE BATERIA BATERIE	INTERRUTTORE SWITCH INTERRUPTEUR INTERRUPTOR SCHALTER	SPIA CARICA BATTERIA BATTERY LONG WARN. LIGHT TEMOIN CHARG. BATTERIE LUZ CARGA BATERIA BATTERIELADUNG KTRL. LAMPE	SOLENOIDE SOLENOID SOLÉNOÏDE SOLENOIDE SOLENOID	DIODO DIODE DIODE DIODE DIODE



F0825500220  
F0825500210  
58045807  
(Yanmar) 30000277  
F0825500200  
(Lombardini)

(DIESEL)

58045804  
30000295  
59057604 } (DIESEL)  
59057390 (Honda)  
31121558

31100201  
31411090  
58157405  
58135225  
31241060  
31241060  
31411064  
31241060

FERRARI

300 serie PS  
PowerSafe®

AVVIAMENTO ELETTRICO

ELECTRIC STARTER  
ARRANQUE ELECTRICO

DÉMARRAGE ELECTRIQUE  
ELEKTROSTART

DALLA MACCHINA  
FROM THE MACHINE  
DE LA MACHINE  
DE LA MAQUINA  
AB DER MASCHINE

N.

Q01 0

05/2009

Rev.

ZENNE

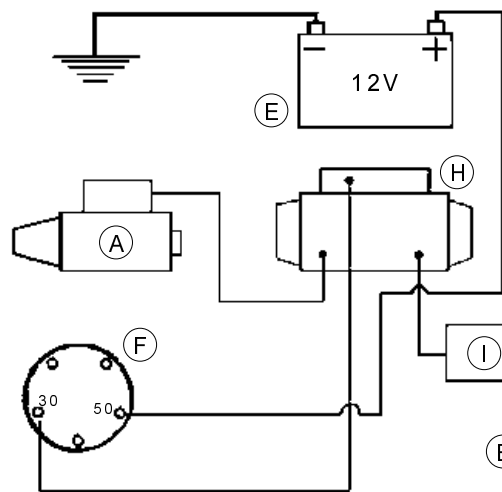
Pos.	Code	Q.ty	Description	Notes
30000277	30000277	1	SWITCH	
30000295	30000295	1	LAMP	
31100201	31100201	1	SCREW TTQ M6X12 UNI 5731	
31121558	31121558	0	SCREW TTQ M6X16 UNI 5731	
31241060	31241060	1	SELFLOCK NUT M6	
31411064	31411064	1	WASHER 6,4x12,5	
31411090	31411090	1	WASHER 9x24	
56119937	56119937	1	BATTERY SUPPORT	
56137370	56137370	1	BATTERY BRACKET	
56149590	56149590	1	BATTERY BRACKET	
56157387	56157387	1	ROD	
58045804	58045804	1	WARNING LIGHT	
58045807	58045807	1	LOCK COVER	
58047460	58047460	1	WIRING	
58049541	58049541	1	WIRING	
58057386	58057386	1	WIRING	
58057610	58057610	1	BOX	
58135225	58135225	0	VIBRATION-DAMPING	
58157405	58157405	1	PLUG	
59057390	59057390	1	BOX	
59057604	59057604	1	BOX	
F0825500	F0825500200	1	CHANGE-OVER SWITCH	
F0825500	F0825500210	1	RING NUT	
F0825500	F0825500220	1	KEY	

SERIAL

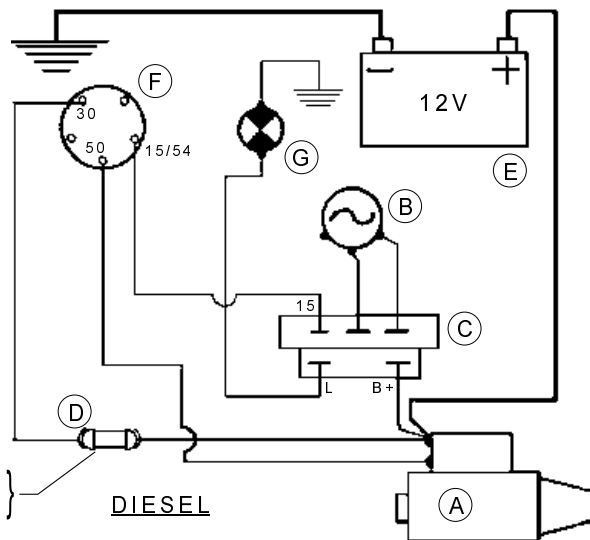
**ELECTRIC STARTER**

CODE REV

**Q01\_0\_67569**

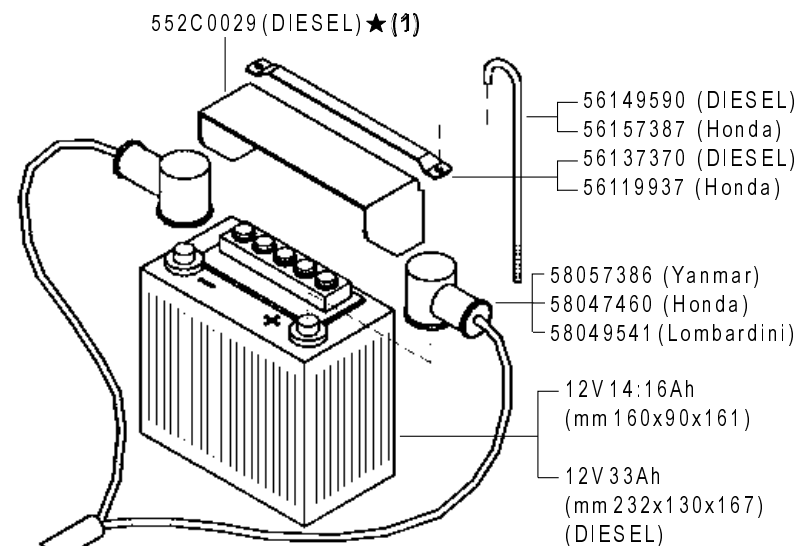


HONDA



(Yanmar) 15A  
(Lombardini) 25A

DIESEL



552C0029 (DIESEL) ★(1)  
56149590 (DIESEL)  
56157387 (Honda)  
56137370 (DIESEL)  
56119937 (Honda)

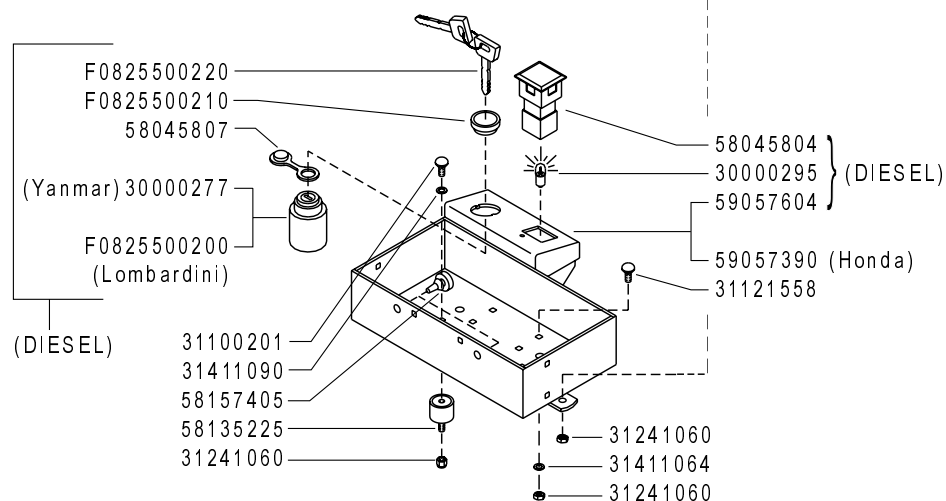
58057386 (Yanmar)  
58047460 (Honda)  
58049541 (Lombardini)

12V 14:16Ah  
(mm 160x90x161)

12V 33Ah  
(mm 232x130x167)  
(DIESEL)

A	B	C	D
MOTORINO D'AVVIAMENTO STARTER DÉMARREUR MOT. DE ARRANQUE ANLASSMOTOR	GENERATORE GENERATOR GÉNÉRATEUR GENERADOR GENERATOR	REGOLATORE REGULATOR RÉGULATEUR REGULADOR REGLER	FUSIBILI FUSES FUSIBLES FUSIBLES SCHMELZSICHERUNGEN

E	F	G	H	I
BATTERIA BATTERY BATTERIE BATERIA BATERIE	INTERRUTTORE SWITCH INTERRUPTEUR INTERRUPTOR SCHALTER	SPIA CARICA BATTERIA BATTERY LONG WARN. LIGHT TEMOIN CHARG. BATTERIE LUZ CARGA BATERIA BATTERIE LADUNG KTRL. LAMPE	SOLENOIDE SOLENOID SOLÉNOÏDE SOLENOIDE SOLENOID	DIODO DIODE DIODE DIODE DIODE



F0825500220  
F0825500210  
58045807  
(Yanmar) 30000277  
F0825500200  
(Lombardini)

(DIESEL)

58045804  
30000295 } (DIESEL)  
59057604  
59057390 (Honda)  
31121558

31100201  
31411090  
58157405  
58135225  
31241060  
31241060  
31241060

(1) sostituisce 58057610

	<b>300</b> serie <b>PS</b> PowerSafe®	<b>AVVIAMENTO ELETTRICO</b>		DALLA MACCHINA FROM THE MACHINE DE LA MACHINE DE LA MAQUINA AB DER MASCHINE	<b>Q01</b>	Rev.
		ELECTRIC STARTER ARRANQUE ELECTRICO	DÉMARRAGE ELECTRIQUE ELEKTROSTART			★ N.
				884219	05/2011	ZENNE

Pos.	Code	Q.ty	Description	Notes
30000277	30000277	1	SWITCH	
30000295	30000295	1	LAMP	
31100201	31100201	1	SCREW TTQ M6X12 UNI 5731	
31121558	31121558	0	SCREW TTQ M6X16 UNI 5731	
31241060	31241060	1	SELFLOCK NUT M6	
31411064	31411064	1	WASHER 6,4x12,5	
31411090	31411090	1	WASHER 9x24	
552C0029	552C0029	1	COPERCHIO BATTERIA 750	
56119937	56119937	1	BATTERY SUPPORT	
56137370	56137370	1	BATTERY BRACKET	
56149590	56149590	1	BATTERY BRACKET	
56157387	56157387	1	ROD	
58045804	58045804	1	WARNING LIGHT	
58045807	58045807	1	LOCK COVER	
58047460	58047460	1	WIRING	
58049541	58049541	1	WIRING	
58057386	58057386	1	WIRING	
58135225	58135225	0	VIBRATION-DAMPING	
58157405	58157405	1	PLUG	
59057390	59057390	1	BOX	
59057604	59057604	1	BOX	
F0825500	F0825500200	1	CHANGE-OVER SWITCH	
F0825500	F0825500210	1	RING NUT	
F0825500	F0825500220	1	KEY	



58056864



58056866



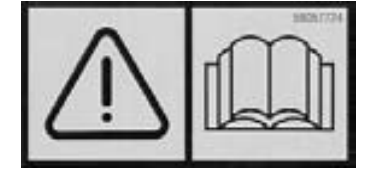
58057746



58057451



58057676



58057724



58056867



58056868



58057450



58057748



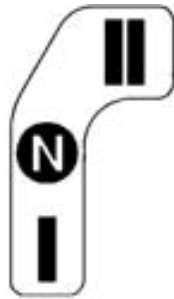
58057677



58057767



58056869



58057732



58057747



58057625



58093089



58057768

**FERRARI**

**300** serie **PS**  
**PowerSafe** ®

STICKERS  
ADHESIVOS

ADESIVE

AUTOCOLLANTS  
AUFKLEBES

DALLA MACCHINA  
FROM THE MACHINE  
DE LA MACHINE  
DE LA MAQUINA  
AB DER MASCHINE

N.

**R01** 0

05/2009

Rev.

ZENNE



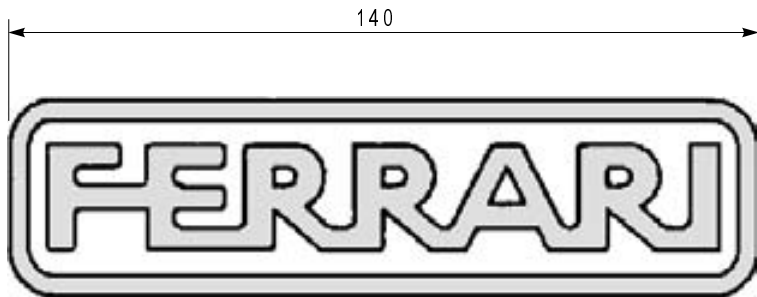
Pos.	Code	Q.ty	Description	Notes
58056864	58056864	1	DECAL	
58056866	58056866	1	DECAL	
58056867	58056867	1	DECAL	
58056868	58056868	1	DECAL	
58056869	58056869	1	DECAL	
58057450	58057450	1	DECAL	
58057451	58057451	1	DECAL	
58057625	58057625	1	DECAL	
58057676	58057676	1	DECAL	
58057677	58057677	1	DECAL	
58057724	58057724	1	DECAL	
58057732	58057732	1	DECAL	
58057746	58057746	1	DECAL	
58057747	58057747	1	DECAL	
58057748	58057748	1	DECAL	
58057767	58057767	1	DECAL	
58057768	58057768	1	DECAL	
58093089	58093089	1	DECAL	



58052156



58052019



58052029



53057666

**310**

58052037

**320**

58052038

**330**

58052039

**340**

58052047

**346**

58052152

**FERRARI**

**300** serie **PS**  
**PowerSafe** ®

STICKERS  
ADHESIVOS

ADESIVE

AUTOCOLLANTS  
AUFKLEBES

DALLA MACCHINA  
FROM THE MACHINE  
DE LA MACHINE  
DE LA MAQUINA  
AB DER MASCHINE

N.

**R02** 0

05/2009

Rev.

ZENNE

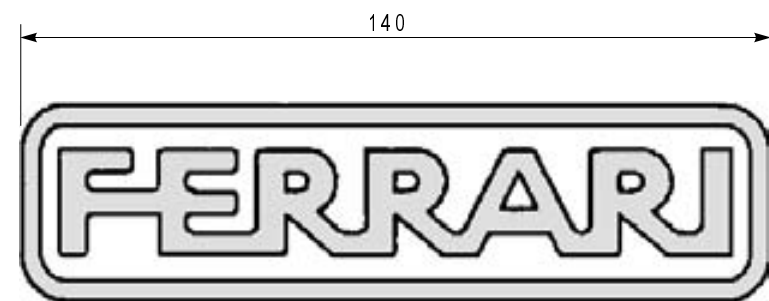
Pos.	Code	Q.ty	Description	Notes
53057666	53057666	1	MARCHIO POWERSAFE	
58052019	58052019	1	DECAL	
58052029	58052029	1	DECAL	
58052037	58052037	1	DECAL	
58052038	58052038	1	DECAL	
58052039	58052039	1	DECAL	
58052047	58052047	1	DECAL	
58052152	58052152	1	DECAL	
58052156	58052156	1	DECAL	



58052019



53052176 ★



58052029



53057666



58052037



58052038



58052039



58052047



58052191 ★



58052152

**FERRARI**

300 serie PS  
PowerSafe®

STICKERS  
ADHESIVOS

ADESIVE

AUTOCOLLANTS  
AUFKLEBES

DALLA MACCHINA  
FROM THE MACHINE  
DE LA MACHINE  
DE LA MAQUINA  
AB DER MASCHINE

AGGIORNAMENTO  
REVISION  
MISE A JOUR  
APLAZAMIENTO  
ANPASSUNG

★ N.

**R02**

Rev.  
**1**

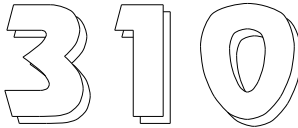
11/2010

ZENNE

Pos.	Code	Q.ty	Description	Notes
53052176	53052176	1	BIG FERRARI BRAND	
53057666	53057666	1	MARCHIO POWERSAFE	
58052019	58052019	1	DECAL	
58052029	58052029	1	DECAL	
58052037	58052037	1	DECAL	
58052038	58052038	1	DECAL	
58052039	58052039	1	DECAL	
58052047	58052047	1	DECAL	
58052152	58052152	1	DECAL	
58052191	58052191	1	DECAL	

**PowerSafe** ®

1



6



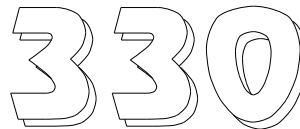
7

**EasyDrive** ®

2



8



9



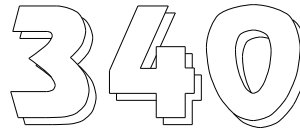
3



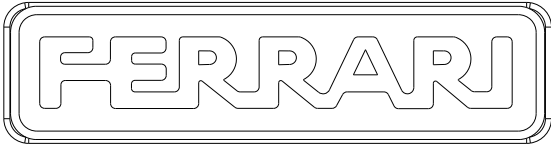
4



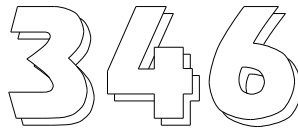
10



11



5



12



13

Pos.	Code	Q.ty	Description	Notes
1	53057666	1	MARCHIO POWERSAFE	
2	53057670	1	DECAL	
3	53052175	1	MEDIUM FERRARI BRAND	
4	530C0056	1	DECAL	
5	53052176	1	BIG FERRARI BRAND	
6	58052178	1	DECAL	
7	58052179	1	DECAL	
8	58052193	1	DECAL	
9	58052180	1	DECAL	
10	58052192	1	DECAL	
11	58052181	1	DECAL	
12	58052182	1	DECAL	
13	58052191	1	DECAL	





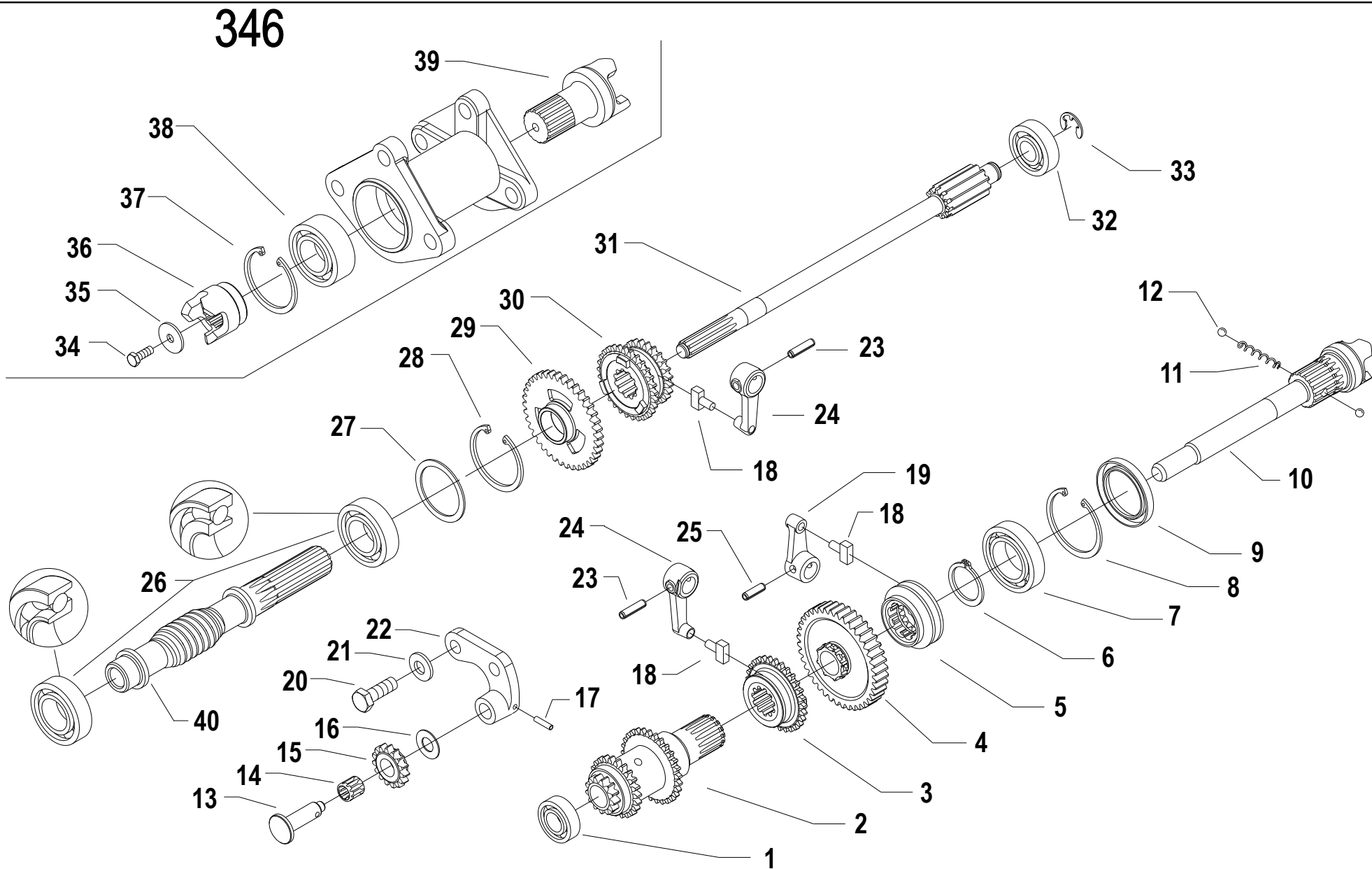
Pos.	Code	Q.ty	Description	Notes
1	37111150		BEARING	
2	59056383		TRIPLE GEAR	
3	52456370		SLIDER	
4	59056707		PTO GEAR	Replaces 59056365 + 52456362 from serial 863327 for 340-346
5	52456706		PTO COUPLING	
6	35121031		SEEGER RING E 30 UNI 7436	
7	37112229		BEARING	
8	35111055		SEEGER RING I 55 DIN 472	
9	38213800		OIL SEAL 38X55X7	
10	52456336		PTO SHAFT	
10	52456705		PTO SHAFT	For Model 360
11	58056391		SPRING	
12	37910832		BALL 1/4	
13	56456736		PERNO INGRANAGGIO OZIOSO	replaces 56456351
14	37320120		ROLLER CAGE 12X15/10	
15	56456347		GEAR	
16	56356348		ADJUSTING RING	
17	34211042		ROLL PIN	
18	58043086		SHOE	
19	52456390		LEVER	
20	31112211		SCREW TE M10X30 UNI 5739	
21	31421101		WASHER	
22	52456349		GEAR SUPPORT	
23	34213060		ROLL PIN	
24	52456389		LEVER	
25	34213061		ROLL PIN	
26	37141250		BEARING	
27	56356328		ADJUSTING RING SP=1,5	
27	56356329		ADJUSTING RING SP=1,6	
27	56356330		ADJUSTING RING SP=1,7	
27	56356331		ADJUSTING RING SP=1,8	
28	35111053		SEEGER RING I 52 UNI 7438	
29	52456354		GEAR	
30	52456360		SLIDER	

SERIAL

**H03\_02 - INGRANAGGI CAMBIO (340-346-360)**

CODE REV

**H.03.02.A0003\_02**



Pos.	Code	Q.ty	Description	Notes
31	52456340		SHAFT	
32	37111152		BEARING	
33	35211120		SEEGER RING E 12 UNI 7434	
34	31112090		SCREW TE M6X16 UNI 5739 8G	
35	56158943		WASHER 7,0x25/2	
36	56458942		COUPLING	
37	35111047		SEEGER RING I 47 DIN 472	
38	37112252		BEARING	
39	52457866		SHAFT	
40	56456476		SCREW	For Model 340
40	56456479		SCREW	For Model 346

# SPARE PARTS INSTANCE INDEX





# SPARE PARTS INSTANCE INDEX

Code	Parts Table	Pos.	Q.ty	Code	Parts Table	Pos.	Q.ty	Code	Parts Table	Pos.	Q.ty
30000197	B.01.01.A0001_03	9	1	31112083	G02_0_66903	31112083	1	31112166	N02_1_77691	31112166	1
	B01_0_66748	30000197	1	31112084	B.01.01.A0001_03	16	1	31112170	G02_0_66903	31112170	1
	B01_1_72788	30000197	1		B01_0_66748	31112084	1		I04_0_67119	31112170	1
30000277	Q01_0_67569	30000277	1		B01_1_72788	31112084	1		I04_1_77517	31112170	1
	Q01_1_81859	30000277	1		B01_2_77329	31112084	1	31112171	A.02.01.A0003_02	3	1
30000295	Q01_0_67569	30000295	1	31112085	A.02.01.A0003_02	9	1		A02_0_66730	31112171	1
	Q01_1_81859	30000295	1		A02_0_66730	31112085	1		A02_1_77305	31112171	1
30010120	M03_0_67475	30010120	1		A02_1_77305	31112085	1		M03_0_67475	31112171	1
	M03_1_77650	30010120	1	31112089	K03_0_67265	31112089	1		M03_1_77650	31112171	1
31100015	F01_0_66821	31100015	1		K03_1_77574	31112089	1	31112210	A.02.01.A0003_02	19	1
	F01_1_77388	31100015	1	31112090	H.03.02.A0003_02	34			A02_1_77305	31112210	1
31100023	E01_0_66804	31100023	1		H03_0_66965	31112090	1	31112211	H.03.02.A0003_02	20	
	E01_1_77371	31100023	1		H03_1_77469	31112090	1		H03_0_66965	31112211	1
31100029	E01_0_66804	31100029	1		L.03.01.A0003_02	18	1		H03_1_77469	31112211	1
	E01_1_77371	31100029	1		L03_0_67358	31112090	1	31112293	J03_0_67191	31112293	1
31100031	E01_0_66804	31100031	1		L03_1_77607	31112090	1		J03_1_77552	31112293	1
	E01_1_77371	31100031	1		N.02.01.A0003_02	6	1		J03_2_77555	31112293	1
31100201	Q01_0_67569	31100201	1		N02_0_67525	31112090	1	31112701	M03_0_67475	31112701	1
	Q01_1_81859	31100201	1		N02_1_77691	31112090	1		M03_1_77650	31112701	1
31100451	A.02.01.A0003_02	12	1	31112099	D.01.01.A0001_02	2	1	31121008	A.02.01.A0003_02	6	1
	A02_1_77305	31100451	1		D01_0_66794	31112099	1		A02_0_66730	31121008	1
	J03_0_67191	31100451	1		D01_1_77361	31112099	1		A02_1_77305	31121008	1
	J03_1_77552	31100451	1	31112149	M03_0_67475	31112149	1	31121020	K03_0_67265	31121020	1
	J03_2_77555	31100451	1		M03_1_77650	31112149	1		K03_1_77574	31121020	1
	L.03.01.A0003_02	17	1	31112154	A.02.01.A0003_02	1	1		L.03.01.A0003_02	27	1
	L03_0_67358	31100451	1		A02_0_66730	31112154	1		L03_0_67358	31121020	1
	L03_1_77607	31100451	1		A02_1_77305	31112154	1		L03_1_77607	31121020	1
	M03_0_67475	31100451	1	31112165	J03_0_67191	31112165	1	31121024	L.03.01.A0003_02	13	1
	M03_1_77650	31100451	1		J03_1_77552	31112165	1		L03_0_67358	31121024	1
31104022	F01_0_66821	31104022	1		J03_2_77555	31112165	1		L03_1_77607	31121024	1
	F01_1_77388	31104022	1	31112166	I04_0_67119	31112166	1	31121558	Q01_0_67569	31121558	0
31111229	J03_0_67191	31111229	1		I04_1_77517	31112166	1		Q01_1_81859	31121558	0
	J03_1_77552	31111229	1		N.02.01.A0003_02	11	1	31152060	B.01.01.A0001_03	24	1
	J03_2_77555	31111229	1		N02_0_67525	31112166	1		B01_0_66748	31152060	1



## SPARE PARTS INSTANCE INDEX

Code	Parts Table	Pos.	Q.ty	Code	Parts Table	Pos.	Q.ty	Code	Parts Table	Pos.	Q.ty
31152060	B01_1_72788	31152060	1	31241080	J03_0_67191	31241080	1	31312089	I04_0_67119	31312089	1
	B01_2_77329	31152060	1		J03_1_77552	31241080	1		I04_1_77517	31312089	1
31152063	B.01.01.A0001_03	1	1		M03_0_67475	31241080	1	31312094	G02_0_66903	31312094	1
	B01_0_66748	31152063	1		M03_1_77650	31241080	1	31312097	F01_0_66821	31312097	1
	B01_1_72788	31152063	1	31241083	F01_0_66821	31241083	1		F01_1_77388	31312097	1
	B01_2_77329	31152063	1		F01_1_77388	31241083	1	31312102	I04_0_67119	31312102	1
31152085	N.02.01.A0003_02	5	1	31241084	A.02.01.A0003_02	2	1		I04_1_77517	31312102	1
	N02_0_67525	31152085	1		A02_0_66730	31241084	1	31312103	P01_0_67539	31312103	1
	N02_1_77691	31152085	1		A02_1_77305	31241084	1		P01_1_81340	31312103	1
31152090	E01_0_66804	31152090	1		G02_0_66903	31241084	1	31312124	G02_0_66903	31312124	1
	E01_1_77371	31152090	1		I04_0_67119	31241084	1	31312125	G02_0_66903	31312125	1
31211080	K03_0_67265	31211080	1		I04_1_77517	31241084	1	31411064	Q01_0_67569	31411064	1
	K03_1_77574	31211080	1		J03_2_77555	31241084	1		Q01_1_81859	31411064	1
	L.03.01.A0003_02	21	1		L.03.01.A0003_02	25	1	31411084	M03_0_67475	31411084	1
	L03_0_67358	31211080	1		L03_0_67358	31241084	1		M03_1_77650	31411084	1
	L03_1_77607	31211080	1		L03_1_77607	31241084	1	31411090	Q01_0_67569	31411090	1
31211100	I04_0_67119	31211100	1		N.02.01.A0003_02	9	1		Q01_1_81859	31411090	1
	I04_1_77517	31211100	1		N02_0_67525	31241084	1	31411104	M03_0_67475	31411104	1
	P01_0_67539	31211100	1		N02_1_77691	31241084	1		M03_1_77650	31411104	1
	P01_1_81340	31211100	1	31241100	J03_0_67191	31241100	1	31411130	M03_0_67475	31411130	1
31221121	G02_0_66903	31221121	1		J03_1_77552	31241100	1		M03_1_77650	31411130	1
31241042	L.03.01.A0003_02	14	1		J03_2_77555	31241100	1	31414130	M03_0_67475	31414130	1
	L03_0_67358	31241042	1	31241120	M03_0_67475	31241120	1		M03_1_77650	31414130	1
	L03_1_77607	31241042	1		M03_1_77650	31241120	1	31421083	E01_0_66804	31421083	1
31241060	A02_0_66730	31241060	1	31241124	G02_0_66903	31241124	1		E01_1_77371	31421083	1
	A02_1_77305	31241060	1	31241126	J03_0_67191	31241126	1	31421100Z	J03_0_67191	31421100	1
	K03_0_67265	31241060	1		J03_1_77552	31241126	1		J03_1_77552	31421100	1
	K03_1_77574	31241060	1		J03_2_77555	31241126	1		J03_2_77555	31421100	1
	Q01_0_67569	31241060	1	31312073	F01_0_66821	31312073	1	31421101	H.03.02.A0003_02	21	
	Q01_1_81859	31241060	1		F01_1_77388	31312073	1		H03_0_66965	31421101	1
31241065	K03_0_67265	31241065	1	31312082	G02_0_66903	31312082	1		H03_1_77469	31421101	1
	K03_1_77574	31241065	1	31312084	G02_0_66903	31312084	1	31421132	G02_0_66903	31421132	1
31241080	I04_0_67119	31241080	1	31312085	I04_0_67119	31312085	1	31423084	F01_0_66821	31423084	1
	I04_1_77517	31241080	1		I04_1_77517	31312085	1		F01_1_77388	31423084	1



# SPARE PARTS INSTANCE INDEX

Code	Parts Table	Pos.	Q.ty
31423084	I04_0_67119	31423084	1
	I04_1_77517	31423084	1
	M03_0_67475	31423084	1
	M03_1_77650	31423084	1
31423105	A.02.01.A0003_02	20	1
	A02_1_77305	31423105	1
	I04_0_67119	31423105	1
	I04_1_77517	31423105	1
	P01_0_67539	31423105	1
	P01_1_81340	31423105	1
31480180	B01_0_66748	31480180	1
	B01_1_72788	31480180	1
31480184	B.01.01.A0001_03	10	1
	B01_0_66748	31480184	1
	B01_1_72788	31480184	1
	B01_2_77329	31480184	1
	G02_0_66903	31480184	1
31510099	A02_0_66730	31510099	1
	A02_1_77305	31510099	1
31510100	A.02.01.A0003_02	14	1
	A02_0_66730	31510100	1
	A02_1_77305	31510100	1
34110028	M03_0_67475	34110028	1
	M03_1_77650	34110028	1
34211042	H.03.02.A0003_02	17	
	H03_0_66965	34211042	1
	H03_1_77469	34211042	1
34213020	L.03.01.A0003_02	23	1
	L03_0_67358	34213020	1
	L03_1_77607	34213020	1
	M03_0_67475	34213020	1
	M03_1_77650	34213020	1
34213024	M03_0_67475	34213024	1
	M03_1_77650	34213024	1

Code	Parts Table	Pos.	Q.ty
34213040	I04_0_67119	34213040	1
	I04_1_77517	34213040	1
34213060	H.03.02.A0003_02	23	
	H03_0_66965	34213060	1
	H03_1_77469	34213060	1
34213061	H.03.02.A0003_02	25	
	H03_0_66965	34213061	1
	H03_1_77469	34213061	1
34221040	B.01.01.A0001_03	5	1
	B01_0_66748	34221040	1
	B01_1_72788	34221040	1
	B01_2_77329	34221040	1
35111029	E01_0_66804	35111029	1
	E01_1_77371	35111029	1
35111047	H.03.02.A0003_02	37	
	H03_0_66965	35111047	1
	H03_1_77469	35111047	1
35111053	H.03.02.A0003_02	28	
	H03_0_66965	35111053	1
	H03_1_77469	35111053	1
35111055	H.03.02.A0003_02	8	
	H03_0_66965	35111055	1
	H03_1_77469	35111055	1
35121031	H.03.02.A0003_02	6	
	H03_0_66965	35121031	1
	H03_1_77469	35121031	1
35211050	B.01.01.A0001_03	17	1
	B01_0_66748	35211050	1
	B01_1_72788	35211050	1
	B01_2_77329	35211050	1
35211060	B.01.01.A0001_03	15	1
	B01_0_66748	35211060	1
	B01_1_72788	35211060	1
	B01_2_77329	35211060	1

Code	Parts Table	Pos.	Q.ty
35211060	I04_0_67119	35211060	1
	I04_1_77517	35211060	1
35211120	H.03.02.A0003_02	33	
	H03_0_66965	35211120	1
	H03_1_77469	35211120	1
37111150	H.03.02.A0003_02	1	
	H03_0_66965	37111150	1
	H03_1_77469	37111150	1
37111152	H.03.02.A0003_02	32	
	H03_0_66965	37111152	1
	H03_1_77469	37111152	1
37111170	I04_0_67119	37111170	1
	I04_1_77517	37111170	1
37111250	I04_0_67119	37111250	1
	I04_1_77517	37111250	1
37112229	H.03.02.A0003_02	7	
	H03_0_66965	37112229	1
	H03_1_77469	37112229	1
37112252	H.03.02.A0003_02	38	
	H03_0_66965	37112252	1
	H03_1_77469	37112252	1
37112253	I04_0_67119	37112253	1
	I04_1_77517	37112253	1
37141250	H.03.02.A0003_02	26	
	H03_0_66965	37141250	1
	H03_1_77469	37141250	1
37141253	C.01.01.A0001_02	7	1
	C01_0_66780	37141253	1
	C01_1_72820	37141253	1
37161500	C.01.01.A0001_02	3	1
	C01_0_66780	37161500	1
	C01_1_72820	37161500	1
37320120	H.03.02.A0003_02	14	
	H03_0_66965	37320120	1



## SPARE PARTS INSTANCE INDEX

Code	Parts Table	Pos.	Q.ty	Code	Parts Table	Pos.	Q.ty	Code	Parts Table	Pos.	Q.ty
37320120	H03_1_77469	37320120	1	38211400	M03_0_67475	38211400	1	39416018	P01_1_81340	39416018	1
37910832	H.03.02.A0003_02	12			M03_1_77650	38211400	1	39416020	P01_0_67539	39416020	1
	H03_0_66965	37910832	1	38212500	F01_0_66821	38212500	1		P01_1_81340	39416020	1
	H03_1_77469	37910832	1		F01_1_77388	38212500	1	51156214	B.01.01.A0001_03	2	1
37911532	M03_0_67475	37911532	1	38213003	I04_0_67119	38213003	1		B01_0_66748	51156214	1
	M03_1_77650	37911532	1		I04_1_77517	38213003	1		B01_1_72788	51156214	1
38110675	E01_0_66804	38110675	1	38213202	F01_0_66821	38213202	1		B01_2_77329	51156214	1
	E01_1_77371	38110675	1		F01_1_77388	38213202	1	51359229N	G02_0_66903	51359229	1
38110873	D.01.01.A0001_02	4	1	38213500	F01_0_66821	38213500	1	52156810Z	L.03.01.A0003_02	34	1
	D01_0_66794	38110873	1		F01_1_77388	38213500	1		L03_0_67358	52156810	1
	D01_1_77361	38110873	1	38213800	H.03.02.A0003_02	9			L03_1_77607	52156810	1
	F01_0_66821	38110873	1		H03_0_66965	38213800	1	52156917	J03_0_67191	52156917	1
	F01_1_77388	38110873	1		H03_1_77469	38213800	1		J03_1_77552	52156917	1
38111191	M03_0_67475	38111191	1	39114008	P01_0_67539	39114008	1	52357250	M03_0_67475	52357250	1
	M03_1_77650	38111191	1		P01_1_81340	39114008	1		M03_1_77650	52357250	1
38111400	I04_0_67119	38111400	1	39114010	P01_0_67539	39114010	1	52449640	I04_0_67119	52449640	1
	I04_1_77517	38111400	1		P01_1_81340	39114010	1		I04_1_77517	52449640	1
38111872	E01_0_66804	38111872	1	39115010	P01_0_67539	39115010	1	52449641	I04_0_67119	52449641	1
	E01_1_77371	38111872	1		P01_1_81340	39115010	1		I04_1_77517	52449641	1
38118859	C.01.01.A0001_02	1	1	39115012	P01_0_67539	39115012	1	52449642	I04_0_67119	52449642	1
	C01_0_66780	38118859	1		P01_1_81340	39115012	1		I04_1_77517	52449642	1
	C01_1_72820	38118859	1	39116018	P01_0_67539	39116018	1	52449643N	I04_0_67119	52449643	1
38119823	F01_0_66821	38119823	1		P01_1_81340	39116018	1		I04_1_77517	52449643	1
	F01_1_77388	38119823	1	39116020	P01_0_67539	39116020	1	52456211	C01_0_66780	52456211	1
38120500	C.01.01.A0001_02	9	1		P01_1_81340	39116020	1	52456217	B.01.01.A0001_03	3	1
	C01_0_66780	38120500	1	39414008	P01_0_67539	39414008	1		B01_0_66748	52456217	1
	C01_1_72820	38120500	1		P01_1_81340	39414008	1		B01_1_72788	52456217	1
38140850	C.01.01.A0001_02	11	1	39414010	P01_0_67539	39414010	1		B01_2_77329	52456217	1
	C01_0_66780	38140850	1		P01_1_81340	39414010	1	52456220	B.01.01.A0001_03	20	1
	C01_1_72820	38140850	1	39415010	P01_0_67539	39415010	1		B01_0_66748	52456220	1
38211400	B.01.01.A0001_03	19	1		P01_1_81340	39415010	1		B01_1_72788	52456220	1
	B01_0_66748	38211400	1	39415012	P01_0_67539	39415012	1		B01_2_77329	52456220	1
	B01_1_72788	38211400	1		P01_1_81340	39415012	1	52456223	B.01.01.A0001_03	4	1
	B01_2_77329	38211400	1	39416018	P01_0_67539	39416018	1		B01_0_66748	52456223	1





## SPARE PARTS INSTANCE INDEX

Code	Parts Table	Pos.	Q.ty	Code	Parts Table	Pos.	Q.ty	Code	Parts Table	Pos.	Q.ty
52456223	B01_1_72788	52456223	1	52456370	H.03.02.A0003_02	3		53156207	F01_0_66821	53156207	1
	B01_2_77329	52456223	1		H03_0_66965	52456370	1		F01_1_77388	53156207	1
52456233	E01_0_66804	52456233	1		H03_1_77469	52456370	1	53156209	D.01.01.A0001_02	3	1
	E01_1_77371	52456233	1	52456389	H.03.02.A0003_02	24			D01_0_66794	53156209	1
52456234	E01_0_66804	52456234	1		H03_0_66965	52456389	1		D01_1_77361	53156209	1
	E01_1_77371	52456234	1		H03_1_77469	52456389	1	53156210	C.01.01.A0001_02	8	1
52456235	B01_0_66748	52456235	1	52456390	H.03.02.A0003_02	19			C01_0_66780	53156210	1
	B01_1_72788	52456235	1		H03_0_66965	52456390	1		C01_1_72820	53156210	1
	B01_2_77329	52456235	1		H03_1_77469	52456390	1	53156218	C.01.01.A0001_02	10	1
52456236	F01_0_66821	52456236	1	52456694	C.01.01.A0001_02	6	1		C01_0_66780	53156218	1
	F01_1_77388	52456236	1		C01_1_72820	52456694	1		C01_1_72820	53156218	1
52456237	F01_0_66821	52456237	1	52456705	H.03.02.A0003_02	10		53156332V	G02_0_66903	53156332	1
	F01_1_77388	52456237	1		H03_1_77469	52456705	1	53156345V	G02_0_66903	53156345	1
52456243	E01_0_66804	52456243	1	52456706	H.03.02.A0003_02	5		53156659	D.01.01.A0001_02	3	1
	E01_1_77371	52456243	1		H03_1_77469	52456706	1	53156860	L.03.01.A0003_02	9	1
52456245	E01_0_66804	52456245	1	52457866	H.03.02.A0003_02	39			L03_0_67358	53156860	1
	E01_1_77371	52456245	1		H03_0_66965	52457866	1		L03_1_77607	53156860	1
52456336	H.03.02.A0003_02	10			H03_1_77469	52457866	1	53249635V	I04_0_67119	53249635	1
	H03_0_66965	52456336	1	53052175	R.02.01.A0003_02	3	1		I04_1_77517	53249635	1
	H03_1_77469	52456336	1	53052176	R.02.01.A0003_02	5	1	532C0055	F01_1_77388	532C005	1
52456340	H.03.02.A0003_02	31			R02_1_82042	53052176	1	55102678	G02_0_66903	55102678	1
	H03_0_66965	52456340	1	53057666	R.02.01.A0003_02	1	1	55157212	J03_0_67191	55157212	1
	H03_1_77469	52456340	1		R02_0_67613	53057666	1		J03_1_77552	55157212	1
52456349	H.03.02.A0003_02	22			R02_1_82042	53057666	1		J03_2_77555	55157212	1
	H03_0_66965	52456349	1	53057670	R.02.01.A0003_02	2	1		L.03.01.A0003_02	10	1
	H03_1_77469	52456349	1	530C0056	R.02.01.A0003_02	4	1		L03_0_67358	55157212	1
52456354	H.03.02.A0003_02	29		53143712	P01_0_67539	53143712	1		L03_1_77607	55157212	1
	H03_0_66965	52456354	1		P01_1_81340	53143712	1		M03_0_67475	55157212	1
	H03_1_77469	52456354	1	53143875V	G02_0_66903	53143875	1		M03_1_77650	55157212	1
52456360	H.03.02.A0003_02	30		53156202V	G02_0_66903	53156202	1	55157213	J03_0_67191	55157213	1
	H03_0_66965	52456360	1	53156205	F01_0_66821	53156205	1		J03_1_77552	55157213	1
	H03_1_77469	52456360	1		F01_1_77388	53156205	1		J03_2_77555	55157213	1
52456362	H03_0_66965	52456362	1	53156206	F01_0_66821	53156206	1		L.03.01.A0003_02	16	1
	H03_1_77469	52456362	1		F01_1_77388	53156206	1		L03_0_67358	55157213	1



## SPARE PARTS INSTANCE INDEX

Code	Parts Table	Pos.	Q.ty	Code	Parts Table	Pos.	Q.ty	Code	Parts Table	Pos.	Q.ty
55157213	L03_1_77607	55157213	1	55256228	B01_0_66748	55256228	1	56148470N	K03_0_67265	56148470	1
	M03_0_67475	55157213	1		B01_1_72788	55256228	1		K03_1_77574	56148470	1
	M03_1_77650	55157213	1		B01_2_77329	55256228	1	56149590	Q01_0_67569	56149590	1
55157214	L.03.01.A0003_02	33	1	55256757	L.03.01.A0003_02	22	1		Q01_1_81859	56149590	1
	L03_0_67358	55157214	1		L03_0_67358	55256757	1	56149644	I04_0_67119	56149644	1
	L03_1_77607	55157214	1		L03_1_77607	55256757	1		I04_1_77517	56149644	1
55157215	L.03.01.A0003_02	32	1	55256835	L.03.01.A0003_02	2	1	56156219Z	I04_0_67119	56156219	1
	L03_0_67358	55157215	1		L03_0_67358	55256835	1		I04_1_77517	56156219	1
	L03_1_77607	55157215	1		L03_1_77607	55256835	1	56156224	B.01.01.A0001_03	23	1
55242528	M03_0_67475	55242528	1	55256836	L.03.01.A0003_02	1	1		B01_0_66748	56156224	1
	M03_1_77650	55242528	1		L03_0_67358	55256836	1		B01_1_72788	56156224	1
55243340	J03_0_67191	55243340	1		L03_1_77607	55256836	1		B01_2_77329	56156224	1
	J03_1_77552	55243340	1	55257313	M03_0_67475	55257313	1	56156241N	A.02.01.A0003_02	5	1
	J03_2_77555	55243340	1		M03_1_77650	55257313	1		A02_0_66730	56156241	1
55248379	M03_0_67475	55248379	1	55257321	M03_0_67475	55257321	1		A02_1_77305	56156241	1
	M03_1_77650	55248379	1		M03_1_77650	55257321	1	56156247	C.01.01.A0001_02	4	1
55252406	A.02.01.A0003_02	16	1	552C0029	Q01_1_81859	552C002	1		C01_0_66780	56156247	1
	A02_0_66730	55252406	1	56119937	Q01_0_67569	56119937	1		C01_1_72820	56156247	1
	A02_1_77305	55252406	1		Q01_1_81859	56119937	1	56156276	F01_0_66821	56156276	1
55252413	A.02.01.A0003_02	17	1	56137370	Q01_0_67569	56137370	1		F01_1_77388	56156276	1
	A02_0_66730	55252413	1		Q01_1_81859	56137370	1	56156281	F01_0_66821	56156281	1
	A02_1_77305	55252413	1	56147520Z	G02_0_66903	56147520	1		F01_1_77388	56156281	1
55252415	A02_0_66730	55252415	1	56147560	M03_0_67475	56147560	1	56156288Z	E01_0_66804	56156288	1
	A02_1_77305	55252415	1		M03_1_77650	56147560	1		E01_1_77371	56156288	1
55252503	A.02.01.A0003_02	15	1	56147574	M03_0_67475	56147574	1	56156603Z	K03_0_67265	56156603	1
	A02_1_77305	55252503	1		M03_1_77650	56147574	1		K03_1_77574	56156603	1
55252504	A.02.01.A0003_02	13	1	56147672	M03_0_67475	56147672	1	56156658	B.01.01.A0001_03	26	1
	A02_1_77305	55252504	1		M03_1_77650	56147672	1		B01_0_66748	56156658	1
55256185	K03_0_67265	55256185	1	56148218N	N.02.01.A0003_02	1	1		B01_1_72788	56156658	1
	K03_1_77574	55256185	1		N02_0_67525	56148218	1		B01_2_77329	56156658	1
55256197	L.03.01.A0003_02	6	1		N02_1_77691	56148218	1	56156809H	M03_0_67475	56156809	1
	L03_0_67358	55256197	1	56148287	L.03.01.A0003_02	5	1		M03_1_77650	56156809	1
	L03_1_77607	55256197	1		L03_0_67358	56148287	1	56156828Z	I04_0_67119	56156828	1
55256228	B.01.01.A0001_03	13	1		L03_1_77607	56148287	1		I04_1_77517	56156828	1



## SPARE PARTS INSTANCE INDEX

Code	Parts Table	Pos.	Q.ty	Code	Parts Table	Pos.	Q.ty	Code	Parts Table	Pos.	Q.ty
56156831Z	N.02.01.A0003_02	10	1	56157399	A02_1_77305	56157399	1	56356331	H03_1_77469	56356331	1
	N02_0_67525	56156831	1	56158943	H.03.02.A0003_02	35		56356348	H.03.02.A0003_02	16	
	N02_1_77691	56156831	1		H03_0_66965	56158943	1		H03_0_66965	56356348	1
56156832Z	L.03.01.A0003_02	24	1		H03_1_77469	56158943	1		H03_1_77469	56356348	1
	L03_0_67358	56156832	1	56347870Z	E01_0_66804	56347870	1	56356661	B.01.01.A0001_03	22	1
	L03_1_77607	56156832	1		E01_1_77371	56347870	1		B01_0_66748	56356661	1
56156834Z	L.03.01.A0003_02	12	1	56347873	E01_0_66804	56347873	1		B01_1_72788	56356661	1
	L03_0_67358	56156834	1		E01_1_77371	56347873	1		B01_2_77329	56356661	1
	L03_1_77607	56156834	1	56356184Z	K03_0_67265	56356184	1	56356833Z	L.03.01.A0003_02	7	1
56156856N	I04_0_67119	56156856	1		K03_1_77574	56356184	1		L03_0_67358	56356833	1
	I04_1_77517	56156856	1	56356212	C01_0_66780	56356212	1		L03_1_77607	56356833	1
56156859Z	L.03.01.A0003_02	28	1	56356215	C01_0_66780	56356215	1	56356840	N.02.01.A0003_02	7	1
	L03_0_67358	56156859	1	56356216	C.01.01.A0001_02	2	1		N02_0_67525	56356840	1
	L03_1_77607	56156859	1		C01_0_66780	56356216	1		N02_1_77691	56356840	1
56156874N	K03_0_67265	56156874	1		C01_1_72820	56356216	1	56356840Z	L.03.01.A0003_02	19	1
	K03_1_77574	56156874	1	56356239	F01_0_66821	56356239	1		L03_0_67358	56356840	1
56156940	J03_0_67191	56156940	1		F01_1_77388	56356239	1		L03_1_77607	56356840	1
	J03_1_77552	56156940	1	56356240	F01_0_66821	56356240	1	56356857Z	N.02.01.A0003_02	12	1
	J03_2_77555	56156940	1		F01_1_77388	56356240	1		N02_0_67525	56356857	1
56156948N	J03_0_67191	56156948	1	56356242	B.01.01.A0001_03	28	1		N02_1_77691	56356857	1
	J03_1_77552	56156948	1		B01_0_66748	56356242	1	56356858Z	L.03.01.A0003_02	8	1
56156974N	J03_2_77555	56156974	1		B01_1_72788	56356242	1		L03_0_67358	56356858	1
56157271N	M03_0_67475	56157271	1		B01_2_77329	56356242	1		L03_1_77607	56356858	1
	M03_1_77650	56157271	1	56356328	H.03.02.A0003_02	27		56356924	J03_0_67191	56356924	1
56157303Z	M03_0_67475	56157303	1		H03_0_66965	56356328	1		J03_1_77552	56356924	1
	M03_1_77650	56157303	1		H03_1_77469	56356328	1		J03_2_77555	56356924	1
56157324	M03_0_67475	56157324	1	56356329	H.03.02.A0003_02	27		56443871	I04_0_67119	56443871	1
	M03_1_77650	56157324	1		H03_0_66965	56356329	1		I04_1_77517	56443871	1
56157364N	M03_0_67475	56157364	1		H03_1_77469	56356329	1	56448183	I04_0_67119	56448183	1
	M03_1_77650	56157364	1	56356330	H.03.02.A0003_02	27			I04_1_77517	56448183	1
56157387	Q01_0_67569	56157387	1		H03_0_66965	56356330	1	56448196	I04_0_67119	56448196	1
	Q01_1_81859	56157387	1		H03_1_77469	56356330	1		I04_1_77517	56448196	1
56157399	A.02.01.A0003_02	8	1	56356331	H.03.02.A0003_02	27		56456347	H.03.02.A0003_02	15	
	A02_0_66730	56157399	1		H03_0_66965	56356331	1		H03_0_66965	56456347	1



## SPARE PARTS INSTANCE INDEX

Code	Parts Table	Pos.	Q.ty	Code	Parts Table	Pos.	Q.ty	Code	Parts Table	Pos.	Q.ty
56456347	H03_1_77469	56456347	1	58043855	I04_1_77517	58043855	1	58049505	L03_1_77607	58049505	1
56456351	H03_0_66965	56456351	1	58043874	I04_0_67119	58043874	1	58049541	Q01_0_67569	58049541	1
	H03_1_77469	56456351	1		I04_1_77517	58043874	1		Q01_1_81859	58049541	1
56456476	H.03.02.A0003_02	40		58043881N	I04_0_67119	58043881	1	58049646	I04_0_67119	58049646	1
	H03_0_66965	56456476	1		I04_1_77517	58043881	1		I04_1_77517	58049646	1
	H03_1_77469	56456476	1	58044804	P01_1_81340	58044804	1	58049830	L.03.01.A0003_02	31	1
56456479	H.03.02.A0003_02	40		58045804	Q01_0_67569	58045804	1		L03_0_67358	58049830	1
	H03_0_66965	56456479	1		Q01_1_81859	58045804	1		L03_1_77607	58049830	1
	H03_1_77469	56456479	1	58045807	Q01_0_67569	58045807	1	58050345	K03_0_67265	58050345	1
56456657	B.01.01.A0001_03	25	1		Q01_1_81859	58045807	1		K03_1_77574	58050345	1
	B01_0_66748	56456657	1	58047460	Q01_0_67569	58047460	1	58052019	R02_0_67613	58052019	1
	B01_1_72788	56456657	1		Q01_1_81859	58047460	1		R02_1_82042	58052019	1
	B01_2_77329	56456657	1	58047671	M03_0_67475	58047671	1	58052029	R02_0_67613	58052029	1
56456736	H.03.02.A0003_02	13			M03_1_77650	58047671	1		R02_1_82042	58052029	1
56458942	H.03.02.A0003_02	36		58047712	L.03.01.A0003_02	11	1	58052037	R02_0_67613	58052037	1
	H03_0_66965	56458942	1		L03_0_67358	58047712	1		R02_1_82042	58052037	1
	H03_1_77469	56458942	1		L03_1_77607	58047712	1	58052038	R02_0_67613	58052038	1
56556213	C.01.01.A0001_02	5	1	58048000	K03_0_67265	58048000	1		R02_1_82042	58052038	1
	C01_0_66780	56556213	1		K03_1_77574	58048000	1	58052039	R02_0_67613	58052039	1
	C01_1_72820	56556213	1	58048009	L.03.01.A0003_02	4	1		R02_1_82042	58052039	1
56556282	E01_0_66804	56556282	1		L03_0_67358	58048009	1	58052047	R02_0_67613	58052047	1
	E01_1_77371	56556282	1		L03_1_77607	58048009	1		R02_1_82042	58052047	1
58002538	K03_0_67265	58002538	1	58048214	N.02.01.A0003_02	3	1	58052152	R02_0_67613	58052152	1
	K03_1_77574	58002538	1		N02_0_67525	58048214	1		R02_1_82042	58052152	1
58042746	P01_1_81340	58042746	1		N02_1_77691	58048214	1	58052156	R02_0_67613	58052156	1
58043053	G02_0_66903	58043053	1	58048215	N.02.01.A0003_02	2	1	58052178	R.02.01.A0003_02	6	1
58043086	H.03.02.A0003_02	18			N02_0_67525	58048215	1	58052179	R.02.01.A0003_02	7	1
	H03_0_66965	58043086	1		N02_1_77691	58048215	1	58052180	R.02.01.A0003_02	9	1
	H03_1_77469	58043086	1	58048330	P01_1_81340	58048330	1	58052181	R.02.01.A0003_02	11	1
58043117	G02_0_66903	58043117	1	58049501	L.03.01.A0003_02	36	1	58052182	R.02.01.A0003_02	12	1
58043176	M03_0_67475	58043176	1		L03_0_67358	58049501	1	58052191	R.02.01.A0003_02	13	1
	M03_1_77650	58043176	1		L03_1_77607	58049501	1		R02_1_82042	58052191	1
58043250	P01_1_81340	58043250	1	58049505	L.03.01.A0003_02	36	1	58052192	R.02.01.A0003_02	10	1
58043855	I04_0_67119	58043855	1		L03_0_67358	58049505	1	58052193	R.02.01.A0003_02	8	1



## SPARE PARTS INSTANCE INDEX

Code	Parts Table	Pos.	Q.ty	Code	Parts Table	Pos.	Q.ty	Code	Parts Table	Pos.	Q.ty
58052288	P01_0_67539	58052288	1	58056595	K03_0_67265	58056595	1	58056846	L.03.01.A0003_02	35	1
58052326	P01_0_67539	58052326	1		K03_1_77574	58056595	1		L03_0_67358	58056846	1
58052327	P01_0_67539	58052327	1		L.03.01.A0003_02	20	1		L03_1_77607	58056846	1
58052328	P01_0_67539	58052328	1		L03_0_67358	58056595	1	58056847	L.03.01.A0003_02	30	1
58052332	P01_0_67539	58052332	1		L03_1_77607	58056595	1		L03_0_67358	58056847	1
	P01_1_81340	58052332	1	58056683	B.01.01.A0001_03	27	1		L03_1_77607	58056847	1
58056155	K03_0_67265	58056155	1	58056798Z	B01_0_66748	58056798	1	58056848	L.03.01.A0003_02	30	1
	K03_1_77574	58056155	1		B01_1_72788	58056798	1		L.03.01.A0003_02	35	1
58056186Z	K03_0_67265	58056186	1	58056811	K03_0_67265	58056811	1		L03_0_67358	58056848	1
	K03_1_77574	58056186	1		K03_1_77574	58056811	1		L03_1_77607	58056848	1
58056187	K03_0_67265	58056187	1	58056812	K03_0_67265	58056812	1	58056849	L.03.01.A0003_02	29	1
	K03_1_77574	58056187	1		K03_1_77574	58056812	1		L03_0_67358	58056849	1
58056188	K03_0_67265	58056188	1	58056813	K03_0_67265	58056813	1		L03_1_77607	58056849	1
	K03_1_77574	58056188	1	58056814	L.03.01.A0003_02	36	1	58056864	R01_0_67594	58056864	1
58056192	B01_0_66748	58056192	1		L03_0_67358	58056814	1	58056866	R01_0_67594	58056866	1
	B01_1_72788	58056192	1		L03_1_77607	58056814	1	58056867	R01_0_67594	58056867	1
	B01_2_77329	58056192	1	58056816	K03_1_77574	58056816	1	58056868	R01_0_67594	58056868	1
58056208	D.01.01.A0001_02	1	1	58056837	L.03.01.A0003_02	3	1	58056869	R01_0_67594	58056869	1
	D01_1_77361	58056208	1		L03_0_67358	58056837	1	58056918	J03_0_67191	58056918	1
58056221	B.01.01.A0001_03	21	1		L03_1_77607	58056837	1		J03_1_77552	58056918	1
	B01_0_66748	58056221	1	58056838	K03_0_67265	58056838	1		J03_2_77555	58056918	1
	B01_1_72788	58056221	1		K03_1_77574	58056838	1		N.02.01.A0003_02	8	1
	B01_2_77329	58056221	1	58056839	K03_0_67265	58056839	1		N02_0_67525	58056918	1
58056222	B.01.01.A0001_03	12	1		K03_1_77574	58056839	1		N02_1_77691	58056918	1
	B01_0_66748	58056222	1	58056841	L.03.01.A0003_02	29	1	58056942N	J03_0_67191	58056942	1
	B01_1_72788	58056222	1		L03_0_67358	58056841	1		J03_1_77552	58056942	1
	B01_2_77329	58056222	1		L03_1_77607	58056841	1		J03_2_77555	58056942	1
58056238	B01_0_66748	58056238	1	58056842	K03_0_67265	58056842	1	58056991	A.02.01.A0003_02	7	1
58056249	D01_0_66794	58056249	1		K03_1_77574	58056842	1		A02_0_66730	58056991	1
58056391	H.03.02.A0003_02	11		58056844	K03_0_67265	58056844	1		A02_1_77305	58056991	1
	H03_0_66965	58056391	1		K03_1_77574	58056844	1		J03_0_67191	58056991	1
	H03_1_77469	58056391	1	58056845	L.03.01.A0003_02	29	1		J03_1_77552	58056991	1
58056593	K03_0_67265	58056593	1		L03_0_67358	58056845	1		J03_2_77555	58056991	1
	K03_1_77574	58056593	1		L03_1_77607	58056845	1	58057232Z	M03_0_67475	58057232	1



## SPARE PARTS INSTANCE INDEX

Code	Parts Table	Pos.	Q.ty	Code	Parts Table	Pos.	Q.ty	Code	Parts Table	Pos.	Q.ty
58057232Z	M03_1_77650	58057232	1	58157405	Q01_0_67569	58157405	1	59056672	G02_0_66903	59056672	1
58057266	A.02.01.A0003_02	4	1		Q01_1_81859	58157405	1	59056707	H.03.02.A0003_02	4	
	A02_0_66730	58057266	1	58170021	B.01.01.A0001_03	6	1		H03_1_77469	59056707	1
	A02_1_77305	58057266	1		B01_0_66748	58170021	1	59056822N	J03_0_67191	59056822	1
58057337	L.03.01.A0003_02	36	1		B01_1_72788	58170021	1		J03_1_77552	59056822	1
	L03_1_77607	58057337	1		B01_2_77329	58170021	1		J03_2_77555	59056822	1
58057369	K03_0_67265	58057369	1	59048200N	N.02.01.A0003_02	13	1	59057008	M03_0_67475	59057008	1
	K03_1_77574	58057369	1		N02_0_67525	59048200	1		M03_1_77650	59057008	1
58057386	Q01_0_67569	58057386	1		N02_1_77691	59048200	1	59057010N	J03_0_67191	59057010	1
	Q01_1_81859	58057386	1	59048208N	N.02.01.A0003_02	4	1		J03_1_77552	59057010	1
58057422	K03_0_67265	58057422	1		N02_0_67525	59048208	1		J03_2_77555	59057010	1
	K03_1_77574	58057422	1		N02_1_77691	59048208	1	59057011N	J03_0_67191	59057011	1
58057450	R01_0_67594	58057450	1	59049637	I04_0_67119	59049637	1		J03_1_77552	59057011	1
58057451	R01_0_67594	58057451	1		I04_1_77517	59049637	1		J03_2_77555	59057011	1
58057610	Q01_0_67569	58057610	1	59053021G	A02_0_66730	59053021	1	59057300N	M03_0_67475	59057300	1
58057625	R01_0_67594	58057625	1	59053021H	A.02.01.A0003_02	11	1		M03_1_77650	59057300	1
58057676	R01_0_67594	58057676	1		A02_1_77305	59053021	1	59057317	M03_0_67475	59057317	1
58057677	R01_0_67594	58057677	1	59056127G	A02_0_66730	59056127	1		M03_1_77650	59057317	1
58057724	R01_0_67594	58057724	1	59056127H	A.02.01.A0003_02	10	1	59057390	Q01_0_67569	59057390	1
58057732	R01_0_67594	58057732	1		A02_1_77305	59056127	1		Q01_1_81859	59057390	1
58057746	R01_0_67594	58057746	1	59056225Z	B.01.01.A0001_03	14	1	59057604	Q01_0_67569	59057604	1
58057747	R01_0_67594	58057747	1		B01_0_66748	59056225	1		Q01_1_81859	59057604	1
58057748	R01_0_67594	58057748	1		B01_1_72788	59056225	1	590C0060H	A.02.01.A0003_02	21	1
58057767	R01_0_67594	58057767	1		B01_2_77329	59056225	1	590C0075	A02_1_77305	590C007	1
58057768	R01_0_67594	58057768	1	59056230Z	B01_0_66748	59056230	1	590C0125N	J03_2_77555	590C012	1
58093089	R01_0_67594	58093089	1		B01_1_72788	59056230	1	59256035	D.01.01.A0001_02	5	1
580C0041	B.01.01.A0001_03	7	1		B01_2_77329	59056230	1		D01_0_66794	59256035	1
	B01_2_77329	580C004	1	59056244	G02_0_66903	59056244	1		D01_1_77361	59256035	1
58135225	Q01_0_67569	58135225	0	59056298Z	B.01.01.A0001_03	18	1	59256036	D.01.01.A0001_02	5	1
	Q01_1_81859	58135225	0	59056365	H03_0_66965	59056365	1		D01_0_66794	59256036	1
58147704	K03_0_67265	58147704	1		H03_1_77469	59056365	1		D01_1_77361	59256036	1
	K03_1_77574	58147704	1	59056383	H.03.02.A0003_02	2		59256037	D.01.01.A0001_02	5	1
58150313	K03_0_67265	58150313	1		H03_0_66965	59056383	1		D01_0_66794	59256037	1
	K03_1_77574	58150313	1		H03_1_77469	59056383	1		D01_1_77361	59256037	1



## SPARE PARTS INSTANCE INDEX

Code	Parts Table	Pos.	Q.ty
59256038	D.01.01.A0001_02	5	1
	D01_0_66794	59256038	1
	D01_1_77361	59256038	1
59256039	D.01.01.A0001_02	5	1
	D01_0_66794	59256039	1
	D01_1_77361	59256039	1
59256178	K03_0_67265	59256178	1
	K03_1_77574	59256178	1
59256180	L.03.01.A0003_02	15	1
	L03_0_67358	59256180	1
	L03_1_77607	59256180	1
59256200	B.01.01.A0001_03	11	1
	B01_0_66748	59256200	1
	B01_1_72788	59256200	1
	B01_2_77329	59256200	1
59256693	C.01.01.A0001_02	12	1
	C01_1_72820	59256693	1
59256850	L.03.01.A0003_02	26	1
	L03_0_67358	59256850	1
	L03_1_77607	59256850	1
59257161	K03_0_67265	59257161	1
	K03_1_77574	59257161	1
92249993	P01_0_67539	92249993	1
	P01_1_81340	92249993	1
92480703	P01_0_67539	92480703	1
	P01_1_81340	92480703	1
92480719	P01_0_67539	92480719	1
	P01_1_81340	92480719	1
92480720	P01_0_67539	92480720	1
	P01_1_81340	92480720	1
92480721	P01_0_67539	92480721	1
	P01_1_81340	92480721	1
92480757	P01_0_67539	92480757	1
	P01_1_81340	92480757	1

Code	Parts Table	Pos.	Q.ty
92480758	P01_0_67539	92480758	1
	P01_1_81340	92480758	1
92480836	P01_0_67539	92480836	1
	P01_1_81340	92480836	1
F0803067000	F01_0_66821	F0803067	1
	F01_1_77388	F0803067	1
F0803075500	F01_0_66821	F0803075	1
	F01_1_77388	F0803075	1
F0825500200	Q01_0_67569	F0825500	1
	Q01_1_81859	F0825500	1
F0825500210	Q01_0_67569	F0825500	1
	Q01_1_81859	F0825500	1
F0825500220	Q01_0_67569	F0825500	1
	Q01_1_81859	F0825500	1
F0831193010	M03_0_67475	F0831193	1
	M03_1_77650	F0831193	1
F0844273090	B.01.01.A0001_03	8	1
	B01_0_66748	F0844273	1
	B01_1_72788	F0844273	1
	B01_2_77329	F0844273	1